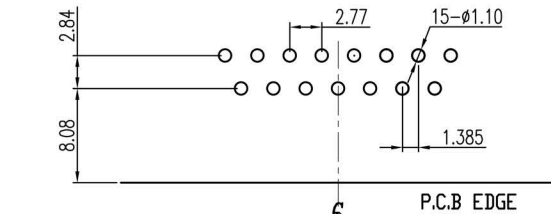
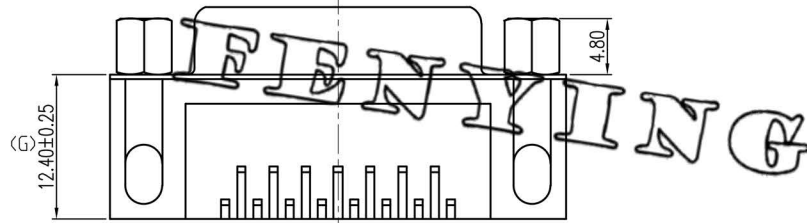
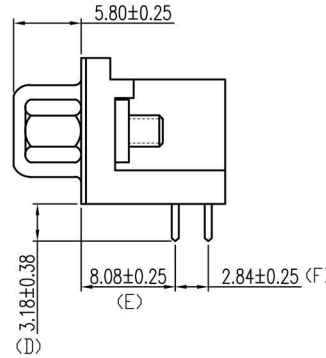
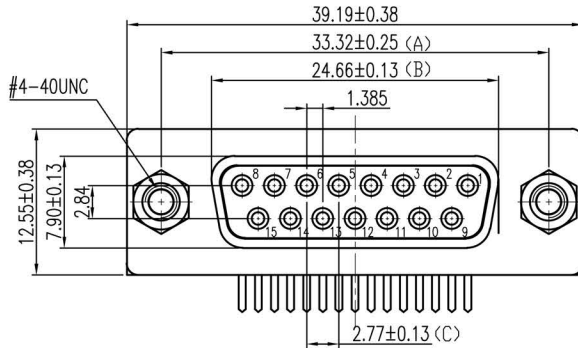
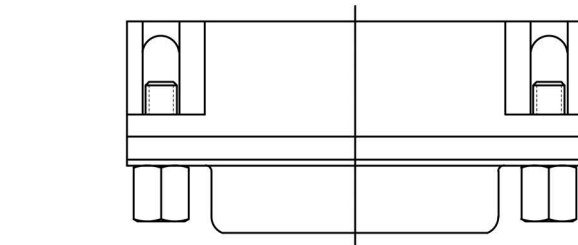


SPECIFICATIONS

1. D-SUB
- 1.1 Voltage: 250 VAC(RMS) Max.
- 1.2 Current Rating: 3 Ampere per Contact
- 1.3 Contact Resistance: 25 Milliohms Max.
- 1.4 Insulation Resistance: 5000 Megohms Min.
- 1.5 Dielectric Withstanding Voltage: 1000 VAC(RMS)
- 1.6 Total Mating Force: 6.0 Kgf Max.
- 1.7 Total Unmating Force: 1.2 Kgf Min.
- 1.8 Operating Temperature: -55°C to +85°C

NOTES

1. MATERIAL:
Housing:PBT, UL 94V-0, Color:Black.
Terminal:Copper Alloy.
Shell:SPCC.
Rivet:Copper Alloy.
Screw:Copper Alloy.
2. FINISH:
Terminal:Gold Plated over Nickel at Contact Area.
Tin Plated over Nickel at Solder Area.
Shell:Nickel Plated.
Rivet:Nickel Plated.
Screw:Nickel Plated.
3. This Product is LEAD-FREE & RoHS Compliance Product.



RECOMMENDED P.C.B LAYOUT
INSPECTION DIMENSION:(A)~(G)

SERIES NO. D100XXX XXXXXXXXNO		N: IT'S COMPLIANT WITH RoHS
NUMBER OF POSITION	D1: 09-POSITION D2: 15-POSITION D3: 25-POSITION D4: 37-POSITION D5: 50-POSITION	INSULATOR MATERIALS 1: PBT 3: PA9T
CONTACT STYLE	S: SOCKET P: PLUG	COLOR STYLE 1: ALL BLACK 2: ALL BLUE 3: ALL GREEN
CONTACT MATERIALS	1: BRASS 2: PHOSPHOR BRONZE	FLANGE MOUNTING OPTION 1: #4-40 THREADED HOLE 2: M3 THREADED HOLE 3: Ø3.05mm CLEAR HOLE 4: #4-40 THREADED SCREWLOCK CLINCHED-MOUNT INSTALLED (4.8) 5: #4-40 THREADED SCREWLOCK CLINCHED-MOUNT INSTALLED (5.8)
CONTACT FINISH	1: G/F BRIGHT TIN 3: 15u" GOLD BRIGHT TIN 4: 30u" GOLD BRIGHT TIN 5: G/F FULL GOLD	A: #4-40 THREADED HOLE WITH #4-40UNC SCREWLOCK INSTALLED (4.8x11.8) B: #4-40 THREADED HOLE WITH #4-40UNC SCREWLOCK BULK-PACKED (4.8x11.8) E: #4-40 THREADED HOLE WITH #4-40UNC SCREWLOCK INSTALLED (5.8x13.0) F: #4-40 THREADED HOLE WITH #4-40UNC SCREWLOCK BULK-PACKED (5.8x13.0) G: M3 THREADED HOLE WITH M3 SCREWLOCK INSTALLED (5.8x13.0)
FRONT SHELL FINISH	1: TIN 2: NICKEL	
BOARD MOUNTING OPTION	0: NONE 1: #4-40 THREADED HOLE 2: 2-FINGER BOARDLOCK 4: 4-FINGER BOARDLOCK 5: Ø3.05mm CLEAR HOLE	

		FEN YING [®]	
		ENTERPRISES CO.,LTD	
AO	An issue.	2010.10.05	
REV.	CONTENTS	DATE	
 UNLESS OTHERWISE SPECIFIED TOLERANCE mm: .00 = ±0.25 .000 = ±0.13 Ang: 0.0 = ±2°	Drawed	Shao Jianfeng	
	Designed	He Wei	
	Approval	Lee Jun De	
Scale	1:1	Size	A4
SHEET	1	Units	mm
Title: D100 SERIES		File NO.	C-ED-B-D100-036
		Drawing NO.	D100D2S1X20A11NO