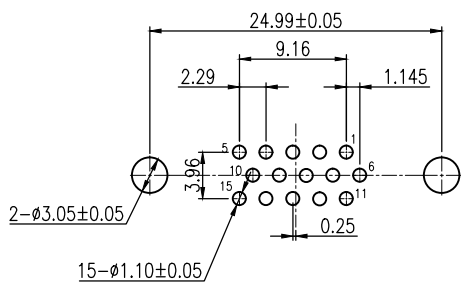
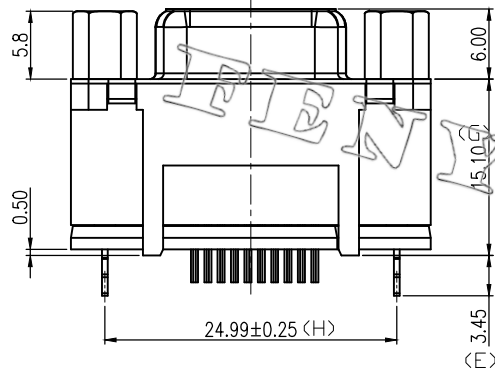
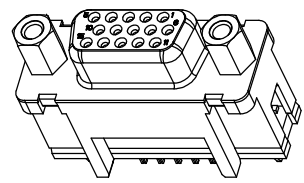
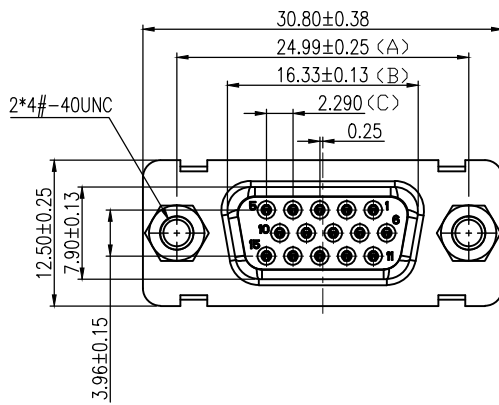


1 2 3 4 5 6 7 8

E  
D  
C  
B  
A



RECOMMEND PCB LAYOUT(TOP VIEW)  
PCB THICKNESS:1.60mm.  
TOLERANCE:±0.05mm.  
INSPECTION DIMENSION:(A)~(H)

**SPECIFICATIONS**

1. D-SUB
- 1.1 Voltage: 250 VAC(RMS) Max.
- 1.2 Current Rating: 3 Ampere per Contact
- 1.3 Contact Resistance: 25 Milliohms Max.
- 1.4 Insulation Resistance: 5000 Megohms Min.
- 1.5 Dielectric Withstanding Voltage: 1000V AC(RMS)
- 1.6 Total Mating Force: 6.0 Kgf Max.
- 1.7 Total Unmating Force: 1.0 Kgf Min.
- 1.8 Operating Temperature: -55°C to +85°C

**NOTES**

1. MATERIAL:  
Housing:PBT, UL 94V-0, Color:Blue.  
Terminal:Copper Alloy.  
Shell:SPCC.  
Boardlock:Steel.  
Screw:Copper Alloy.
2. FINISH:  
Terminal:Gold Plated over Nickel at Contact Area.  
Tin Plated over Nickel at Solder Area.  
Shell:Nickel Plated.  
Boardlock:Tin Plated.  
Screw:Nickel Plated.
3. This Product is LEAD-FREE & GP Compliance Product.



**D169XXX XXXXXXXXG0**

- SERIES NO.** \_\_\_\_\_
- NUMBER OF POSITION**
- 1D: 9-POS. MALE (15.1mm)
  - 2D: 9-POS. MALE (14.6mm)
  - 3D: 9-POS. MALE (13.0mm)
  - 4D: 9-POS. MALE (11.6mm)
  - 5D: 9-POS. MALE (10.0mm)
  - 6D: 9-POS. MALE (8.5mm)
  - 1H: 15-POS. HI-DEN FEMALE (15.1mm)
  - 2H: 15-POS. HI-DEN FEMALE (14.6mm)
  - 3H: 15-POS. HI-DEN FEMALE (13.0mm)
  - 4H: 15-POS. HI-DEN FEMALE (11.6mm)
  - 5H: 15-POS. HI-DEN FEMALE (10.0mm)
  - 6H: 15-POS. HI-DEN FEMALE (8.5mm)
- CONTACT STYLE**
- S: SOCKET
  - P: PLUG
- CONTACT MATERIALS**
- 1: BRASS
- CONTACT FINISH**
- 1: G/F BRIGHT TIN
  - 3: 15u" GOLD BRIGHT TIN
  - 4: 30u" GOLD BRIGHT TIN
  - 7: G/F MATTE TIN
- G: IT'S COMPLIANT WITH GP**
- INSULATOR MATERIALS**
- 1: PBT
  - 3: PA9T
  - 4: PA6T
- COLOR STYLE**
- 1: ALL BLACK
  - 2: ALL BLUE
- FLANGE MOUNTING OPTION**
- 1: #4-40 THREADED HOLE
  - L: #4-40 THREADED HOLE WITH #4-40UNC SCREWLOCK INSTALLED (4.8x9.5)
  - M: #4-40 THREADED HOLE WITH #4-40UNC SCREWLOCK BULK-PACKED (4.8x9.5)
  - N: #4-40 THREADED HOLE WITH #4-40UNC SCREWLOCK INSTALLED (5.8x9.5)
- BOARD MOUNTING OPTION**
- 2: 2-FINGER BOARDLOCK
  - 8: HOLE BOARDLOCK
- FRONT SHELL FINISH**
- 1: TIN
  - 2: NICKEL

|   |                 |                   |    |  |  |
|---|-----------------|-------------------|----|--|--|
|   |                 |                   |    | <b>FEN YING®</b>   |  |
|   |                 |                   |    | <b>ENTERPRISES CO.,LTD</b>   |  |
| <b>A0</b>   | An issue.       |                   |    | <b>2011.05.18</b>  |  |
| <b>REV.</b>   | <b>CONTENTS</b> | <b>DATE</b>       |    | <b>Title: D169 SERIES</b>  |  |
| <p>UNLESS OTHERWISE SPECIFIED TOLERANCE mm:</p> <p>.0 = ±0.38</p> <p>.00 = ±0.25</p> <p>.000 = ±0.13</p> <p>ANGULAR ±Z°</p> | Drewn           | <b>ZMSHENG</b>    |    | <b>D-SUB 15 FEMALE STRAIGHT DIP MOUNT PLASTIC 15.1mm</b><br><br>File NO. C-ED-B-D169-038<br>Drawing NO. D1691HS1X22N21G0 |  |
|   | Designed        | <b>He Wei</b>     |    |  |  |
|   | Approval        | <b>Lee Jun De</b> |    |  |  |
| Scale   | 1:1             | Size              | A4 |  |  |
| SHEET   | 1               | Units             | mm |  |  |

1 2 3 4 5 6 7 8