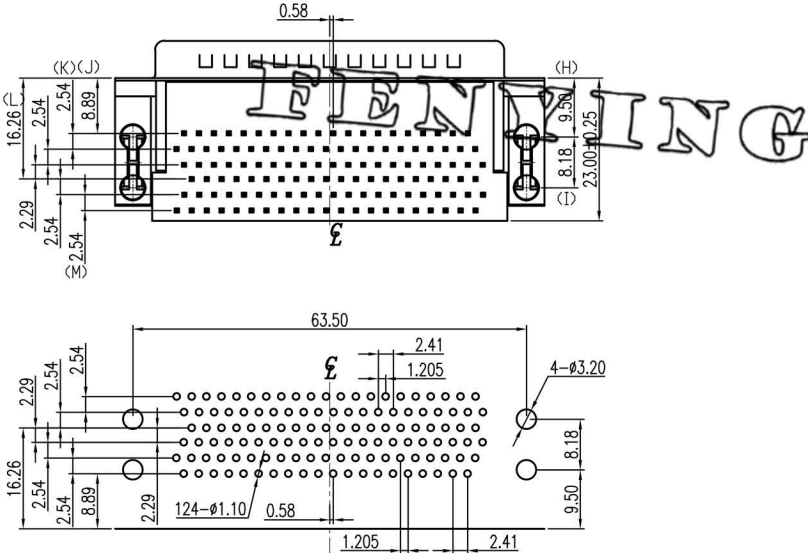
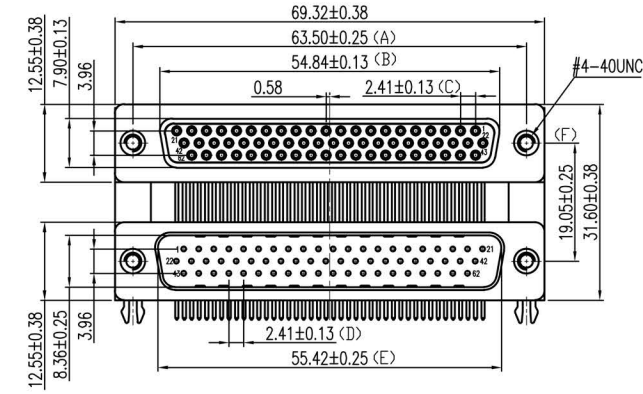
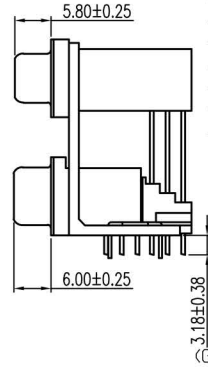


SPECIFICATIONS

1. D-SUB
- 1.1 Voltage: 250 VAC(RMS) Max.
- 1.2 Current Rating: 3 Ampere per Contact
- 1.3 Contact Resistance: 25 Milliohms Max.
- 1.4 Insulation Resistance: 1000 Megohms Min.
- 1.5 Dielectric Withstanding Voltage: 1000 VAC(RMS)
- 1.6 Total Mating Force: 22.0 Kgf Max.
- 1.7 Total Unmating Force: 2.1 Kgf Min.
- 1.8 Operating Temperature: -55°C to +85°C

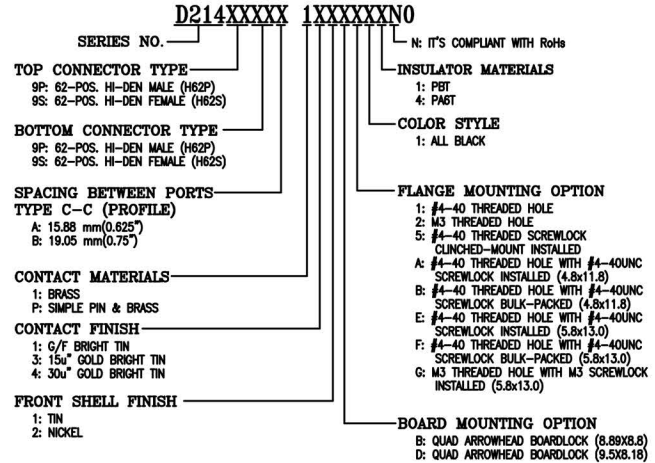
NOTES

1. MATERIAL:
Housing:PBT, UL 94V-0, Color:Black.
Terminal:Copper Alloy.
Shell:SPCC.
Boardlock:Copper Alloy.
Bracket:Zinc Alloy.
2. FINISH:
Terminal:Gold Plated over Nickel at Contact Area.
Tin Plated over Nickel at Solder Area.
Shell:Tin Plated.
Boardlock:Tin Plated.
Bracket:Nickel Plated.
3. This Product is RoHS Compliance Product.



RECOMMENDED P.C.B LAYOUT

INSPECTION DIMENSION:(A)~(M)



				FEN YING®		ENTERPRISES CO.,LTD	
A0	An issue.			2018.10.11			
REV.	CONTENTS			DATE		Title: <u>D212 SERIES</u> D-SUB HIGH DENSITY CONNECTOR 0.350"(8.89) FOOTPRINT, DUAL PORT	
	Drawn	Shao Jianfeng					
	Designed	He Wei					
	Approval	Lee Jun De					
	Scale	1:1	Size	A4	File NO.	C-ED-B-D214-014	
	SHEET	1	Units	mm	Drawing NO.	D2149S9BPBX1D111N0	
<small>UNLESS OTHERWISE SPECIFIED TOLERANCE mm:</small>		00 = ±0.25		000 = ±0.13			
<small>Ang:</small>		0.0 = ±2°					