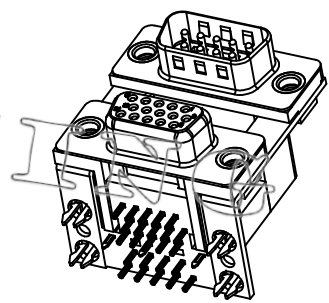


RECOMMENDED P.C.B LAYOUT  
INSPECTION DIMENSION:(A)~(M)



**SPECIFICATIONS**

1. D-SUB
- 1.1 Voltage: 250 VAC(RMS) Max.
- 1.2 Current Rating: 3 Ampere per Contact
- 1.3 Contact Resistance: 25 Milliohms Max.
- 1.4 Insulation Resistance: 5000 Megohms Min.
- 1.5 Dielectric Withstanding Voltage: 1000V AC(RMS)
- 1.6 Total Mating Force: 4.0 Kgf Max.
- 1.7 Total Unmating Force: 1.0 Kgf Min.
- 1.8 Operating Temperature: -55°C to +85°C
2. VGA
- 2.1 Voltage: 250 VAC(RMS) Max.
- 2.2 Current Rating: 3 Ampere per Contact
- 2.3 Contact Resistance: 25 Milliohms Max.
- 2.4 Insulation Resistance: 5000 Megohms Min.
- 2.5 Dielectric Withstanding Voltage: 1000V AC(RMS)
- 2.6 Total Mating Force: 6.0 Kgf Max.
- 2.7 Total Unmating Force: 1.2 Kgf Min.
- 2.8 Operating Temperature: -55°C to +85°C

**NOTES**

1. MATERIAL:  
Housing(UPPER):PBT, UL 94V-0, Color:Green.  
Housing(LOWER):PBT, UL 94V-0, Color:Blue.  
Terminal:Copper Alloy.  
Shell:SPCC.  
Boardlock:Copper Alloy.  
Bracket:Stainless Steel.  
Rivet:Copper Alloy.
2. FINISH:  
Terminal:Gold Plated over Nickel at Contact Area.  
Tin Plated over Nickel at Solder Area.  
Shell:Tin Plated.  
Boardlock:Tin Plated.  
Rivet:Nickel Plated.
3. This Product is LEAD-FREE & RoHS Compliance Product.

**SERIES NO.** D21AXXXX 1XXXXXX0

**TOP CONNECTOR TYPE**  
1P: 9-POS. MALE (9P)  
1S: 9-POS. FEMALE (9S)

**BOTTOM CONNECTOR TYPE**  
6S: 15-POS. HI-DEN FEMALE (H15S,8.89mm)  
69: SHORT #9 OF 15-POS. HI-DEN (8.89mm)  
CS: 15-POS. HI-DEN FEMALE (H15S,5.08mm)  
C9: SHORT #9 OF 15-POS. HI-DEN (5.08mm)

**SPACING BETWEEN PORTS**  
TYPE C-C (PROFILE)  
A: 15.88 mm(0.625")  
B: 19.05 mm(0.75")

**CONTACT MATERIALS**  
1: BRASS

**CONTACT FINISH**  
1: G/F BRIGHT TIN  
C: 20μ" GOLD BRIGHT TIN  
4: 30μ" GOLD BRIGHT TIN  
5: G/F FULL GOLD

**FRONT SHELL FINISH**  
1: TIN  
2: NICKEL

**INSULATOR MATERIALS**  
1: PBT  
3: PA9T

**COLOR STYLE**  
1: ALL BLACK  
A: UPPER-BLACK, LOWER-BLUE  
G: UPPER-GREEN, LOWER-BLACK  
H: UPPER-GREEN, LOWER-BLUE

**FLANGE MOUNTING OPTION**  
1: #4-40 THREADED HOLE  
2: M3 THREADED HOLE  
4: #4-40 THREADED SCREWLOCK  
CLINCHED-MOUNT INSTALLED  
A: #4-40 THREADED HOLE WITH #4-40UNC  
SCREWLOCK INSTALLED (4.8x11.8)  
C: M3 THREADED HOLE WITH M3  
SCREWLOCK INSTALLED (4.8x11.8)  
E: #4-40 THREADED HOLE WITH #4-40UNC  
SCREWLOCK INSTALLED (5.8x13.0)

**BOARD MOUNTING OPTION**  
A: QUAD ARROWHEAD BOARDLOCK (8.08x8.0)  
E: QUAD ARROWHEAD BOARDLOCK (11.43x8.0)  
F: DUAL ARROWHEAD BOARDLOCK (8.08x8.0)

|   |           |                  |      |  |                    |
|---|-----------|------------------|------|--|--------------------|
|   |           | <b>FEN YING®</b> |      | ENTERPRISES CO.,LTD  |                    |
| A0  | An issue. | 2011.05.07       |      |  |                    |
| REV.  | CONTENTS  | DATE             |      | Title: <b>D21A SERIES</b>  |                    |
| <p>UNLESS OTHERWISE SPECIFIED TOLERANCE mm:</p> <p>∅ = ±0.25</p> <p>∅00 = ±0.13</p> <p>Ang: 0.0 = ±2°</p> | Drawn     | zmsheng          |      | D-SUB 0.35"(8.89) FOOTPRINT 9 MALE /15 FEMALE HIGH DENSITY CONNECTOR DUAL PORT |                    |
|   | Designed  | He Wei           |      |  |                    |
|   | Approval  | Lee JIun De      |      |  |                    |
|   | Scale     | 1:1              | Size | A4   | File NO.           |
| SHEET   | 1         | Units            | mm   | Drawing NO.  | D21A1P69B1X1E1H1N0 |