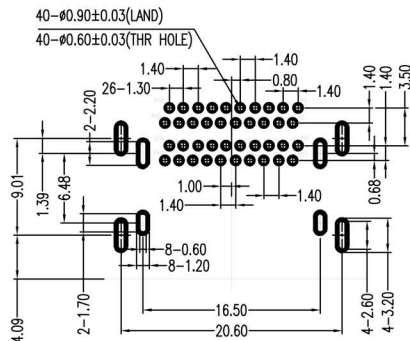
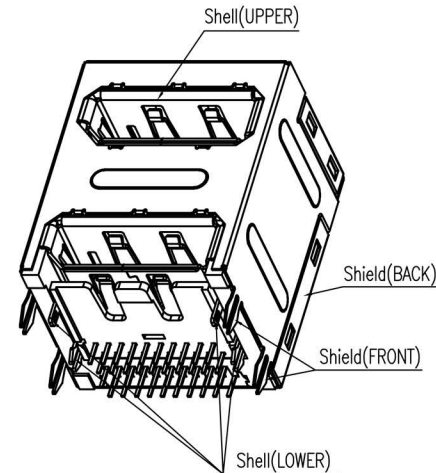
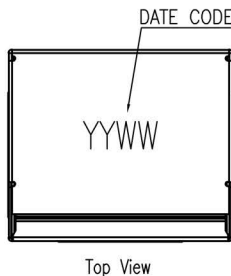
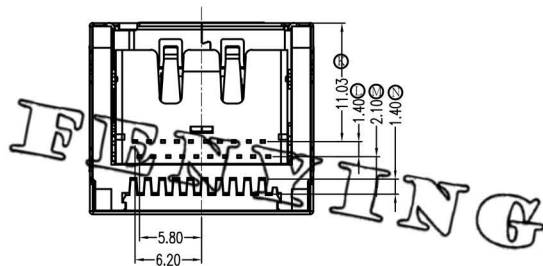


### SPECIFICATIONS

- Displayport
  - Voltage: 40 VAC(RMS) Max.
  - Current Rating: 0.5 Ampere per Contact
  - Contact Resistance: 30 Milliohms Max.
  - Insulation Resistance: 100 Megohms Min.
  - Dielectric Withstanding Voltage: 500V DC(RMS)
  - Total Mating Force: 4.5 Kgf Max.
  - Total Unmating Force: 1.0 Kgf Min.
  - Operating Temperature: -25°C to +85°C

### NOTES

- MATERIAL:
  - Housing:LCP, UL 94V-0, Color:Black.
  - Terminal:Brass.
  - Shell(UPPER):Stainless Steel.
  - Shell(LOWER):Stainless Steel.
  - Shield(FRONT):Stainless Steel.
  - Shield(BACK):Stainless Steel.
- FINISH:
  - Terminal:Selected Gold Plated in Contact Area, 100u" MIN. Matte Tin Plated in Solder Area, 50u" MIN. Nickel Underplated Overall.
  - Shell(LOWER):Solderable Nickel Plated.
  - Shield(FRONT):Solderable Nickel Plated.
- This Product is RoHS Compliance Product.



RECOMMENDED P.C.B. LAYOUT(COMPONENT SIDE VIEW)

TOL IS ±0.05 THICKNESS=1.6 ALL POSITION TOL  $\pm 0.06 \times Y$

A1	change	2017.12.11
A0	An issue.	2016.02.22
REV.	CONTENTS	DATE
 UNLESS OTHERWISE SPECIFIED TOLERANCE mm: 00 ±0.25 000 ±0.13 Ang: 0.0 ±2°	Drawn	Shao Jianfeng
	Designed	He Wei
	Approval	Lee Jun De
Scale	1:1	Size A4
SHEET	1/2	Units mm

**FEN YING®**  
ENTERPRISES CO.,LTD

Title: **D2DP SERIES**

DOUBLE DISPLAYPORT CONNECTOR

File NO. C-ED-B-DPHD-012  
Drawing NO. D2DPDPDP01X80012D0