

RECOMMENDED P.C.B LAYOUT
INSPECTION DIMENSION:(A)~(M)

SPECIFICATIONS

1. VGA
- 1.1 Voltage: 250 VAC(RMS) Max.
- 1.2 Current Rating: 3 Ampere per Contact
- 1.3 Contact Resistance: 25 Milliohms Max.
- 1.4 Insulation Resistance: 5000 Megohms Min.
- 1.5 Dielectric Withstanding Voltage: 1000 VAC(RMS)
- 1.6 Total Mating Force: 6.0 Kgf Max.
- 1.7 Total Unmating Force: 1.2 Kgf Min.
- 1.8 Operating Temperature: -55°C to +85°C
2. HDMI
- 2.1 Voltage: 40 VAC(RMS) Max.
- 2.2 Current Rating: 0.5 Ampere per Contact
- 2.3 Contact Resistance: 30 Milliohms Max.
- 2.4 Insulation Resistance: 100 Megohms Min.
- 2.5 Dielectric Withstanding Voltage: 500V DC(RMS)
- 2.6 Total Mating Force: 4.5 Kgf Max.
- 2.7 Total Unmating Force: 1.0 Kgf Min.
- 2.8 Operating Temperature: -55°C to +85°C

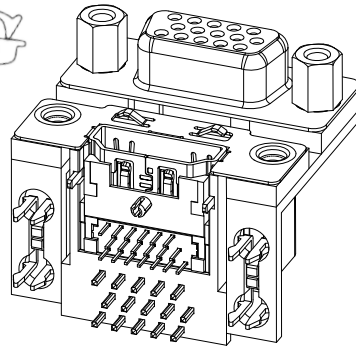
NOTES

1. MATERIAL:
 - Housing(VGA):PBT, UL 94V-0, Color:Blue.
 - Housing(HDMI):LCP, UL 94V-0, Color:Black.
 - Connecting Pedestal:PBT, UL 94V-0, Color:Black.
 - Terminal:Copper Alloy.
 - Shell(VGA):SPCC.
 - Shell(HDMI):Steel.
 - Boardlock:Copper Alloy.
 - Bracket:Zinc Alloy.
 - Gasket:Stainless Steel.
 - Screw:Copper Alloy.
2. FINISH:
 - Terminal:Gold Plated Over Nickel at Contact Area.
 - Tin Plated Over Nickel at Solder Ared.
 - Shell:Nickel Plated.
 - Boardlock:Tin Plated.
 - Bracket:Nickel Plated.
 - Screw:Nickel Plated.
3. This Product is LEAD-FREE & RoHS Compliance Product.



D2H1XXXXX 1XXAXXXNO

- SERIES NO. _____
- TOP CONNECTOR TYPE _____
- 6S: 15-POS. HI-DEN FEMALE (HD15S)
1P: 9-POS. MALE (9P)
- BOTTOM CONNECTOR TYPE _____
- 00: NONE (HDMI)
HD: HDMI 19-POS. FEMALE
- SPACING BETWEEN PORTS _____
- TYPE C-C (PROFILE)
A: 15.88 mm(0.625")
B: 19.05 mm(0.75")
- CONTACT MATERIALS _____
- 1: BRASS
- CONTACT FINISH _____
- 1: G/F BRIGHT TIN
7: G/F MATTE TIN
D: UPPER, G/F MATTE TIN, LOWER, G/F FULL GOLD
U: UPPER, G/F BRIGHT TIN, LOWER, G/F FULL GOLD
V: UPPER, G/F MATTE TIN, LOWER, 15u" FULL GOLD
- N: IT'S COMPLIANT WITH RoHS
- INSULATOR MATERIALS
- 1: PBT
2: LCP
3: PA9T
A: UPPER-PBT, LOWER-LCP
- COLOR STYLE
- 1: ALL BLACK
2: BLUE
D: UPPER-BLUE, LOWER-BLACK
- FLANGE MOUNTING OPTION
- 1: #4-40 THREADED HOLE
2: M3 THREADED HOLE
A: #4-40 THREADED HOLE WITH #4-40UNC SCREWLOCK INSTALLED (4.8x11.8)
B: #4-40 THREADED HOLE WITH #4-40UNC SCREWLOCK BULK-PACKED (4.8x11.8)
E: #4-40 THREADED HOLE WITH #4-40UNC SCREWLOCK INSTALLED (5.8x13.0)
F: #4-40 THREADED HOLE WITH #4-40UNC SCREWLOCK BULK-PACKED (5.8x13.0)
- BOARD MOUNTING OPTION
- A: QUAD ARROWHEAD BOARDLOCK (8.08x8.0)
- FRONT SHELL FINISH
- 1: TIN
2: NICKEL



A1	(A1) 增加尺寸标注	2013.07.11
A0	An issue.	2010.01.11
REV.	CONTENTS	DATE
	Drawed ZMSHENG	
	Designed He Wei	
	Approval Lee JIun De	
	Scale 1:1	Size A4
	SHEET 1	Units mm

FEN YING [®]	
ENTERPRISES CO.,LTD	
Title:	D2H1 SERIES
D-SUB HIGH DENSITY 15 FEMALE/HDMI 19-POS. FEMALE DIP TYPE	
File NO.	C-ED-B-D2H1-002
Drawing NO.	D2H16SHDA1X2AEDANO