

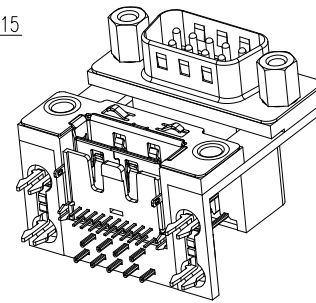
RECOMMENDED P.C.B LAYOUT
INSPECTION DIMENSION:(A)~(N)

SPECIFICATIONS

- D-SUB
- 1.1 Voltage: 250 VAC(RMS) Max.
- 1.2 Current Rating: 3 Ampere per Contact
- 1.3 Contact Resistance: 25 Milliohms Max.
- 1.4 Insulation Resistance: 5000 Megohms Min.
- 1.5 Dielectric Withstanding Voltage: 1000 VAC(RMS)
- 1.6 Total Mating Force: 4.0 Kgf Max.
- 1.7 Total Unmating Force: 1.0 Kgf Min.
- 1.8 Operating Temperature: -55°C to +85°C
2. Displayport
- 2.1 Voltage: 40 VAC(RMS) Max.
- 2.2 Current Rating: 0.5 Ampere per Pontact
- 2.3 Contact Resistance: 30 Milliohms Max.
- 2.4 Insulation Resistance: 100 Megohms Min.
- 2.5 Dielectric Withstanding Voltage: 500V DC(RMS)
- 2.6 Total Mating Force: 4.5 Kgf Max.
- 2.7 Total Unmating Force: 1.0 Kgf Min.
- 2.8 Operating Temperature: -25°C to +85°C

NOTES

- MATERIAL:
 - Housing(D-SUB):PBT, UL 94V-0, Color:Black.
 - Housing(DP):LCP, UL 94V-0, Color:Black.
 - Connecting Pedestal:PBT, UL 94V-0, Color:Black.
 - Terminal:Copper Alloy.
 - Shell(VGA):SPCC.
 - Shell(DP):Stainless Steel.
 - Boardlock:Copper Alloy.
 - Bracket:Zinc Alloy.
 - Gasket:Stainless Steel.
 - Screw:Copper Alloy.
- FINISH:
 - Terminal:Gold Plated Over Nickel at Contact Area.
 - Tin Plated Over Nickel at Solder Ared.
 - Shell:Nickel Plated.
 - Shell(DP):Solderable Nickel Plated.
 - Boardlock:Tin Plated.
 - Bracket:Nickel Plated.
 - Screw:Nickel Plated.
- This Product is RoHS Compliance Product.



D2P1XXXXX 1XXAXXXN0

- SERIES NO. _____
- TOP CONNECTOR TYPE
6S: 15-POS. HI-DEN FEMALE (HD15S)
1P: 9-POS. MALE (9P)
- BOTTOM CONNECTOR TYPE
00: NONE (HDMI)
DP: DISPLAYPORT 20-POS. FEMALE
- SPACING BETWEEN PORTS
TYPE C-C (PROFILE)
A: 15.88 mm(0.625")
B: 19.05 mm(0.75")
- CONTACT MATERIALS
1: BRASS
- CONTACT FINISH
7: G/F MATTE TIN
D: UPPER, G/F MATTE TIN, LOWER, G/F FULL GOLD
U: UPPER, G/F BRIGHT TIN, LOWER, G/F FULL GOLD
V: UPPER, G/F MATTE TIN, LOWER, 15μ" FULL GOLD
- N: IT'S COMPLIANT WITH RoHS
- INSULATOR MATERIALS
1: PBT
2: LCP
3: PA9T
A: UPPER-PBT, LOWER-LCP
- COLOR STYLE
1: ALL BLACK
D: UPPER-BLUE, LOWER-BLACK
G: UPPER-GREEN, LOWER-BLACK
- FLANGE MOUNTING OPTION
1: #4-40 THREADED HOLE
2: M3 THREADED HOLE
A: #4-40 THREADED HOLE WITH #4-40UNC SCREWLOCK INSTALLED (4.8x11.8)
E: #4-40 THREADED HOLE WITH #4-40UNC SCREWLOCK INSTALLED (5.8x13.0)
F: #4-40 THREADED HOLE WITH #4-40UNC SCREWLOCK BULK-PACKED (5.8x13.0)
- BOARD MOUNTING OPTION
A: QUAD ARROWHEAD BOARDLOCK (8.08x8.0)
F: DUAL ARROWHEAD BOARDLOCK (8.08x8.0)
- FRONT SHELL FINISH
2: NICKEL



A0		An issue.		2017.12.22		FEN YING [®] ENTERPRISES CO.,LTD	
REV.	CONTENTS			DATE			
 UNLESS OTHERWISE SPECIFIED TOLERANCE mm: .00 = ±0.25 .000 = ±0.13 Ang: 0.0 = ±2°	Drawed	Shao Jianfeng		File NO. C-ED-B-D2P1-003 Drawing NO. D2P11PDPB1X2AE1AN0		D-SUB 9 MALE/DP 20-POS. FEMALE DIP TYPE	
	Designed	He Wei					
	Approval	Lee JIun De					
	Scale	1:1	Size	A4			
SHEET	1	Units	mm				