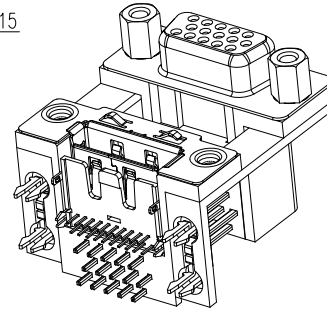


**SPECIFICATIONS**

1. VGA
  - 1.1 Voltage: 250 VAC(RMS) Max.
  - 1.2 Current Rating: 3 Ampere per Contact
  - 1.3 Contact Resistance: 25 Milliohms Max.
  - 1.4 Insulation Resistance: 5000 Megohms Min.
  - 1.5 Dielectric Withstanding Voltage: 1000 VAC(RMS)
  - 1.6 Total Mating Force: 6.0 Kgf Max.
  - 1.7 Total Unmating Force: 1.2 Kgf Min.
  - 1.8 Operating Temperature: -55°C to +85°C
2. Displayport
  - 2.1 Voltage: 40 VAC(RMS) Max.
  - 2.2 Current Rating: 0.5 Ampere per Pontact
  - 2.3 Contact Resistance: 30 Milliohms Max.
  - 2.4 Insulation Resistance: 100 Megohms Min.
  - 2.5 Dielectric Withstanding Voltage: 500V DC(RMS)
  - 2.6 Total Mating Force: 4.5 Kgf Max.
  - 2.7 Total Unmating Force: 1.0 Kgf Min.
  - 2.8 Operating Temperature: -25°C to +85°C

**NOTES**

1. MATERIAL:
  - Housing(VGA):PBT, UL 94V-0, Color:Black.
  - Housing(DP):LCP, UL 94V-0, Color:Black.
  - Connecting Pedestal:PBT, UL 94V-0, Color:Black.
  - Terminal:Copper Alloy.
  - Shell(VGA):SPCC.
  - Shell(DP):Stainless Steel.
  - Boardlock:Copper Alloy.
  - Bracket:Zinc Alloy.
  - Gasket:Stainless Steel.
  - Screw:Copper Alloy.
2. FINISH:
  - Terminal:Gold Plated Over Nickel at Contact Area.
  - Tin Plated Over Nickel at Solder Ared.
  - Shell(Nick)Plated.
  - Shell(DP):Solderable Nickel Plated.
  - Boardlock:Tin Plated.
  - Bracket:Nickel Plated.
  - Screw:Nickel Plated.
3. This Product is RoHS Compliance Product.

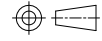


**D2P1XXXXX 1XXAXXXN0**

- SERIES NO. \_\_\_\_\_
- TOP CONNECTOR TYPE \_\_\_\_\_
- 6S: 15-POS. HI-DEN FEMALE (HD15S)  
1P: 9-POS. MALE (9P)
- BOTTOM CONNECTOR TYPE \_\_\_\_\_
- 00: NONE (HDMI)  
DP: DISPLAYPORT 20-POS. FEMALE
- SPACING BETWEEN PORTS \_\_\_\_\_
- TYPE C-C (PROFILE)
- A: 15.88 mm(0.625")  
B: 19.05 mm(0.75")
- CONTACT MATERIALS \_\_\_\_\_
- 1: BRASS
- CONTACT FINISH \_\_\_\_\_
- 7: G/F MATTE TIN  
D: UPPER, G/F MATTE TIN, LOWER, G/F FULL GOLD  
U: UPPER, G/F BRIGHT TIN, LOWER, G/F FULL GOLD  
V: UPPER, G/F MATTE TIN, LOWER, 15u" FULL GOLD
- N: IT'S COMPLIANT WITH RoHS
- INSULATOR MATERIALS
- 1: PBT  
2: LCP  
3: PA9T  
A: UPPER-PBT, LOWER-LCP
- COLOR STYLE
- 1: ALL BLACK  
D: UPPER-BLUE, LOWER-BLACK  
G: UPPER-GREEN, LOWER-BLACK
- FLANGE MOUNTING OPTION
- 1: #4-40 THREADED HOLE  
2: M3 THREADED HOLE  
A: #4-40 THREADED HOLE WITH #4-40UNC SCREWLOCK INSTALLED (4.8x11.8)  
E: #4-40 THREADED HOLE WITH #4-40UNC SCREWLOCK INSTALLED (5.8x13.0)  
F: #4-40 THREADED HOLE WITH #4-40UNC SCREWLOCK BULK-PACKED (5.8x13.0)
- BOARD MOUNTING OPTION
- A: QUAD ARROWHEAD BOARDLOCK (8.08x8.0)  
F: DUAL ARROWHEAD BOARDLOCK (8.08x8.0)
- FRONT SHELL FINISH
- 2: NICKEL



RECOMMENDED P.C.B LAYOUT  
INSPECTION DIMENSION:(A)~(N)

A0		An issue.		2017.12.22		<b>FEN YING®</b> ENTERPRISES CO.,LTD	
REV.	CONTENTS			DATE			
 UNLESS OTHERWISE SPECIFIED TOLERANCE mm: .00 = ±0.25 .000 = ±0.13 Ang: 0.0 = ±2°	Drawn	Shao Jianfeng			D-SUB HIGH DENSITY 15 FEMALE/DP 20-POS. FEMALE DIP TYPE  File NO. C-ED-B-D2P1-004 Drawing NO. D2P16SDPB1X2AE1A0		
	Designed	He Wei					
	Approval	Lee JIun De					
	Scale	1:1	Size	A4			
SHEET	1	Units	mm				