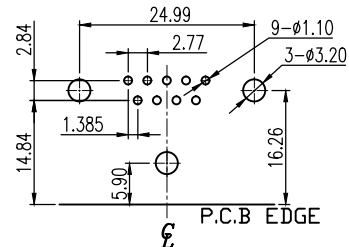
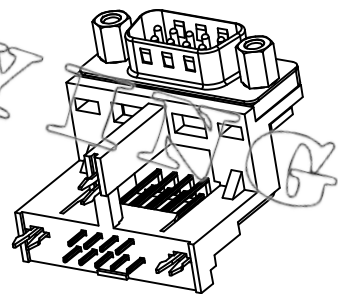
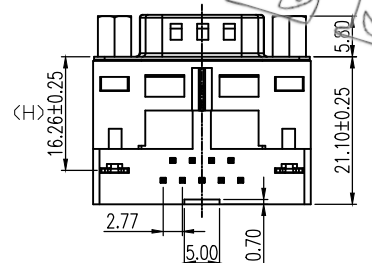
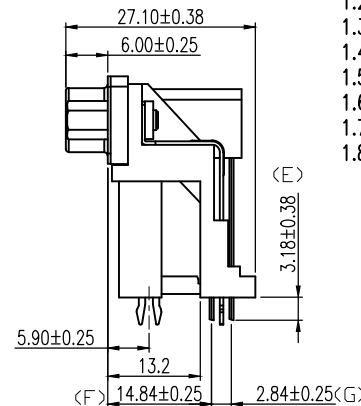
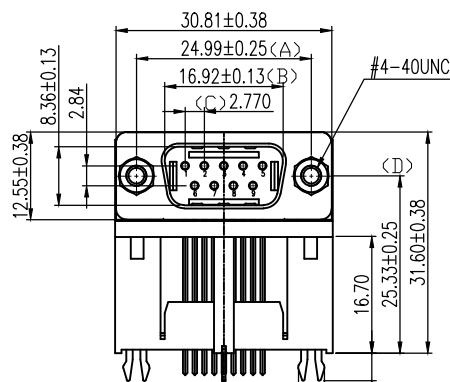


1 2 3 4 5 6 7 8

E  
D  
C  
B  
A

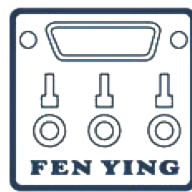


RECOMMENDED P.C.B LAYOUT

INSPECTION DIMENSION:(A)~(H)

SPECIFICATIONS

1. D-SUB
- 1.1 Voltage: 250 VAC(RMS) Max.
- 1.2 Current Rating: 3 Ampere per Contact
- 1.3 Contact Resistance: 25 Milliohm Max.
- 1.4 Insulation Resistance: 5000 Megohm Min.
- 1.5 Dielectric Withstanding Voltage: 1000V AC(RMS)
- 1.6 Total Mating Force: 4.0 Kgf Max.
- 1.7 Total Unmating Force: 1.0 Kgf Min.
- 1.8 Operating Temperature: -55°C to +85°C



NOTES

1. MATERIAL:
  - Housing:PBT, UL 94V-0, Color:Green.
  - Bracket:PBT, UL 94V-0, Color:Black.
  - Terminal:Copper Alloy.
  - Shell:SPCC.
  - Shield:Stainless Steel.
  - Boardlock:Steel.
  - Rivet:Copper Alloy.
  - Screw:Copper Alloy.
2. FINISH:
  - Terminal:Gold Plated over Nickel at Contact Area.
  - Tin Plated over Nickel at Solder Area.
  - Shell:Nickel Plated.
  - Boardlock:Tin Plated.
  - Rivet:Nickel Plated.
  - Screw:Nickel Plated.
3. This Product is LEAD-FREE & RoHS Compliance Product.

D330XXX XXXXXXXXN0

- SERIES NO. \_\_\_\_\_
- NUMBER OF POSITION \_\_\_\_\_
  - D1: 9-POSITION
  - D3: 25-POSITION
  - H1: 15-POSITIONS (HI-DEN)
- CONTACT STYLE \_\_\_\_\_
  - S: SOCKET
  - P: PLUG
- CONTACT MATERIALS \_\_\_\_\_
  - 1: BRASS
- CONTACT FINISH \_\_\_\_\_
  - 1: G/F BRIGHT TIN
  - 3: 15u" GOLD BRIGHT TIN
  - 4: 30u" GOLD BRIGHT TIN
  - 7: G/F MATTE TIN
- FRONT SHELL FINISH \_\_\_\_\_
  - 1: TIN
  - 2: NICKEL
- N: IT'S COMPLIANT WITH RoHS
- INSULATOR MATERIALS \_\_\_\_\_
  - 1: PBT
  - 3: PA9T
- COLOR STYLE \_\_\_\_\_
  - 1: ALL BLACK
  - 2: ALL BLUE
  - 3: HOUSING-GREEN, BRACKET-BLACK
- FLANGE MOUNTING OPTION \_\_\_\_\_
  - 1: #4-40 THREADED HOLE
  - 2: M3 THREADED HOLE
  - 4: #4-40 THREADED SCREWLOCK CLINCHED-MOUNT INSTALLED
  - E: #4-40 THREADED HOLE WITH #4-40UNC SCREWLOCK INSTALLED (5.8x13.0)
  - F: #4-40 THREADED HOLE WITH #4-40UNC SCREWLOCK BULK-PACKED (5.8x13.0)
  - G: M3 THREADED HOLE WITH M3 SCREWLOCK INSTALLED (5.8x13.0)
- BOARD MOUNTING OPTION \_\_\_\_\_
  - 2: DUAL ARROWHEAD BOARDLOCK
  - 3: TRIPLE ARROWHEAD BOARDLOCK

AO	An issue.	2010.12.09
REV.	CONTENTS	DATE
	Drawn	Shao Jianfeng
	Designed	He Wei
	Approval	Lee Jun De
	Scale	1:1
	Size	A4
	SHEET	1
	Units	mm

<b>FEN YING®</b>	
ENTERPRISES CO.,LTD	
Title:	<b>D330 SERIES</b>
	D-SUB 9 MALE HIGH RAISE
File NO.	C-ED-B-D330-020
Drawing NO.	D330D1P1X23E31N0

1 2 3 4 5 6 7 8