

RECOMMENDED P.C.B LAYOUT

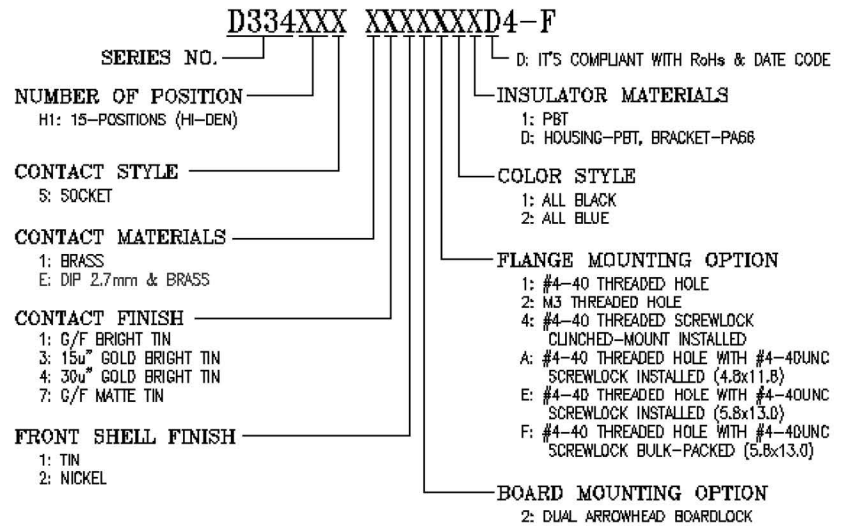
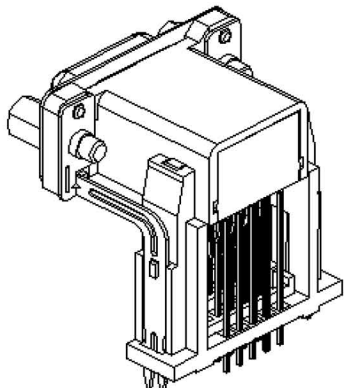
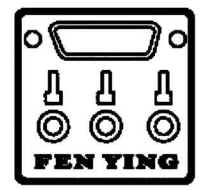
INSPECTION DIMENSION:(A)~(I)

SPECIFICATIONS

1. D-SUB
- 1.1 Voltage: 250 VAC(RMS) Max.
- 1.2 Current Rating: 3 Ampere per Contact
- 1.3 Contact Resistance: 25 Milliohms Max.
- 1.4 Insulation Resistance: 5000 Megohms Min.
- 1.5 Dielectric Withstanding Voltage: 1000V AC(RMS)
- 1.6 Total Mating Force: 6.0 Kgf Max.
- 1.7 Total Unmating Force: 1.2 Kgf Min.
- 1.8 Operating Temperature: -55°C to +85°C

NOTES

1. MATERIAL:
  - Housing:PBT, UL 94V-0, Color:Black.
  - Bracket:PA66, UL 94V-0, Color:Black.
  - Terminal:Copper Alloy.
  - Shell:SPCC.
  - Boardlock:Steel.
  - Screw:Steel.
2. FINISH:
  - Terminal:Gold Plated over Nickel at Contact Area.
  - Matte Tin Plated over Nickel at Solder Ared.
  - Shell:Nickel Plated.
  - Boardlock:Tin Plated.
  - Screw:Nickel Plated.
3. This Product is LEAD-FREE & RoHS Compliance Product.



		<b>FEN YING®</b>		ENTERPRISES CO.,LTD	
A0	An issue.	2016.11.12		Title: <u>D334 SERIES</u> D-SUB 15 FEMALE HIGH DENSITY HIGH RAISE	
REV.	CONTENTS	DATE			
 UNLESS OTHERWISE SPECIFIED TOLERANCE mm: .00 = ±0.25 .000 = ±0.13 Ang: 0.0 = ±2°	Drawed	Shao Jianfeng		File NO. C-ED-B-D334-030	Drawing NO. D334H1SE722E1DD4-F
	Designed	He Wei			
	Approval	Lee Jun De			
Scale	1:1	Size	A4		
SHEET	1	Units	mm		