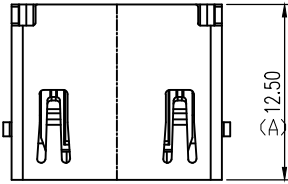
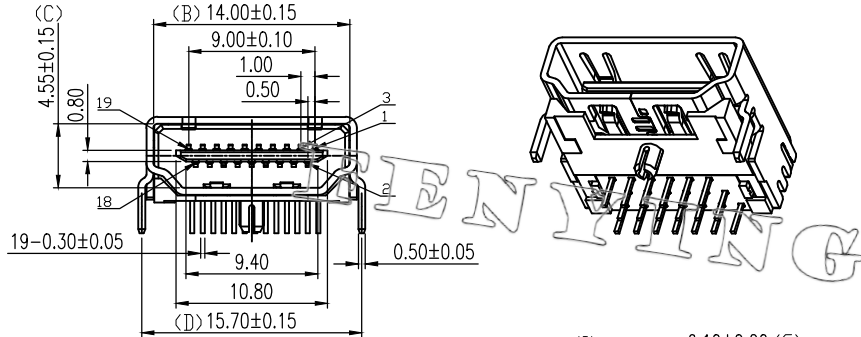


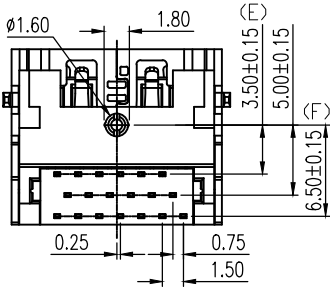
E



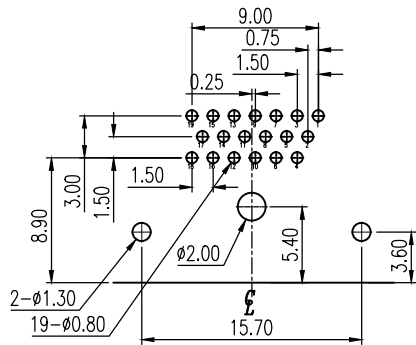
D



C



B



RECOMMENDED P.C.B LAYOUT

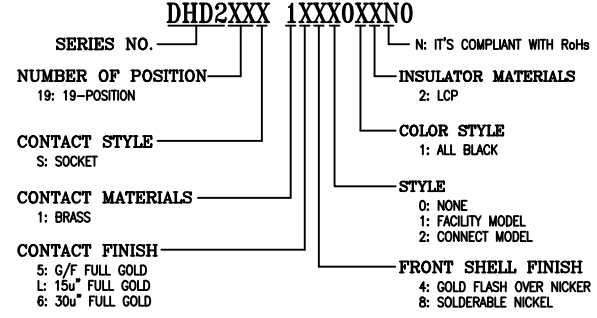
A

SPECIFICATIONS

1. HDMI
- 1.1 Voltage: 40 VAC(RMS) Max.
- 1.2 Current Rating: 0.5 Ampere per Contact
- 1.3 Contact Resistance: 30 Milliohms Max.
- 1.4 Insulation Resistance: 100 Megohms Min.
- 1.5 Dielectric Withstanding Voltage: 500 VAC(RMS)
- 1.6 Total Mating Force: 4.5 Kgf Max.
- 1.7 Total Unmating Force: 1.0 Kgf Min.
- 1.8 Operating Temperature: -55°C to +85°C

NOTES

1. MATERIAL:
Housing:LCP, UL 94V-0, Color:Black.
Terminal:Brass.
Shell:Elastic Steel.
2. FINISH:
Terminal:Gold Plated over 50u" min Nickel Overall.
Shell:Gold Plated over 50u" min Nickel Overall.
3. This Product is RoHs Compliance Product.



				FEN YING ENTERPRISES CO.,LTD	
AO	An issue.	2014.10.20			
REV.	CONTENTS	DATE		Title: DHD2 SERIES	
<p>UNLESS OTHERWISE SPECIFIED TOLERANCE</p> <p>mm: .00 = ±0.25 .000 = ±0.13 Ang: 0.0 = ±2°</p>	Drawn	ZMSHENG		HDMI 19-POS. FEMALE DIP TYPE File NO. C-ED-B-DHD2-004 Drawing NO. DHD219S1X40012N0	
	Designed	He Wei			
	Approval	Lee Jun De			
	Scale	1:1	Size		
SHEET	1	Units	mm		