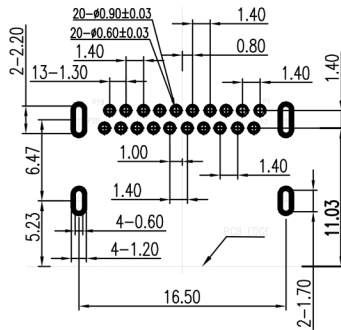
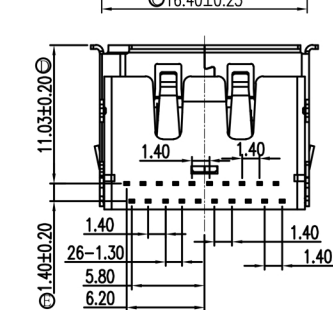
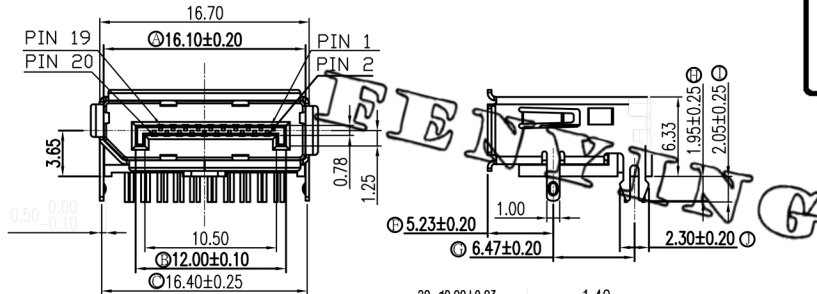


SPECIFICATIONS

1. DP
- 1.1 Voltage: 40 VAC(RMS) Max.
- 1.2 Current Rating: 0.5 Ampere per Contact
- 1.3 Contact Resistance: 30 Milliohms Max.
- 1.4 Insulation Resistance: 100 Megohms Min.
- 1.5 Dielectric Withstanding Voltage: 500 VAC(RMS)
- 1.6 Total Mating Force: 4.5 Kgf Max.
- 1.7 Total Unmating Force: 1.0 Kgf Min.
- 1.8 Operating Temperature: -55°C to +85°C

NOTES

1. MATERIAL:
Housing:PBT, UL 94V-0, Color:Black.
Terminal:Copper Alloy.
Shell:Stainless Steel.
2. FINISH:
Terminal:Selected Gold Plated in Contact Area,
100u" MIN. Tin Plated in Solder Area,
30u" MIN. Nickel Underplated Overall.
Shell:Solderable Nickel Plated 80u" MIN, Overall.
3. This Product is RoHS Compliance Product.



DP01XXX 1XXX0XXN0

- SERIES NO. ————— N: IT'S COMPLIANT WITH RoHS
- NUMBER OF POSITION ————— INSULATOR MATERIALS
 - 20: 20-POSITION
 - 1: PBT
 - 2: LCP
- CONTACT STYLE ————— COLOR STYLE
 - S: SOCKET
 - 1: ALL BLACK
- CONTACT MATERIALS ————— STYLE
 - 1: BRASS
 - 2: DUAL ARROWHEAD BOARDLOCK
- CONTACT FINISH ————— FRONT SHELL FINISH
 - 1: G/F BRIGHT TIN
 - 4: 30u" GOLD BRIGHT TIN
 - 5: G/F FULL GOLD
 - 6: 30u" FULL GOLD
 - 7: G/F MATTE TIN
 - 9: 30u" GOLD MATTE TIN
 - 1: TIN
 - 8: SOLDERABLE NICKEL

RECOMMENDED P.C.B. LAYOUT (COMPONENT SIDE VIEW)
TOL IS ±0.05 THK±1.60 ALL POSITION TOL

AO		An issue.		2017.12.13		FEN YING®	
REV.		CONTENTS		DATE		ENTERPRISES CO.,LTD	
UNLESS OTHERWISE SPECIFIED TOLERANCE: mm: D0 = ±0.25 D00 = ±0.13 Ang. 0.0 = ±2°	Drawn		Shao jianfeng		Title:		DP01 SERIES
	Designed		He Wei				DP 20-POS. FEMALE DP TYPE
	Approval		Lee Jun De				
Scale	1:1	Size	A4	File NO.	C-ED-B-DP01-003		
SHEET	1	Units	mm	Drawing NO.	DP0120S1X82011N0		