

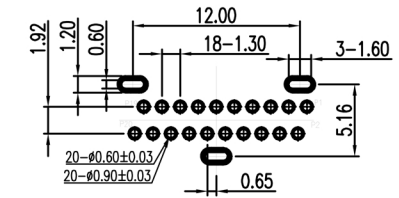
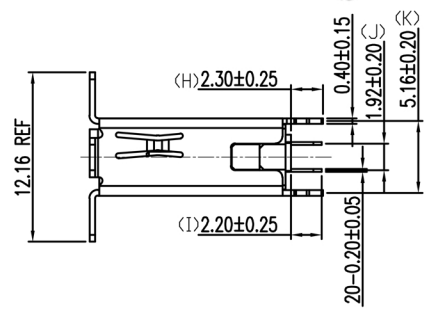
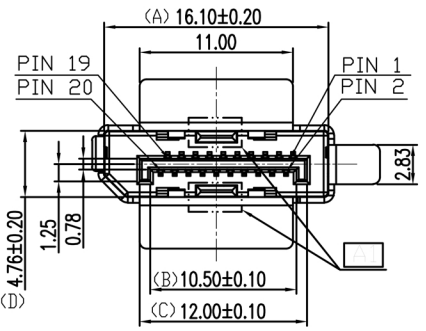
FEN YING

SPECIFICATIONS

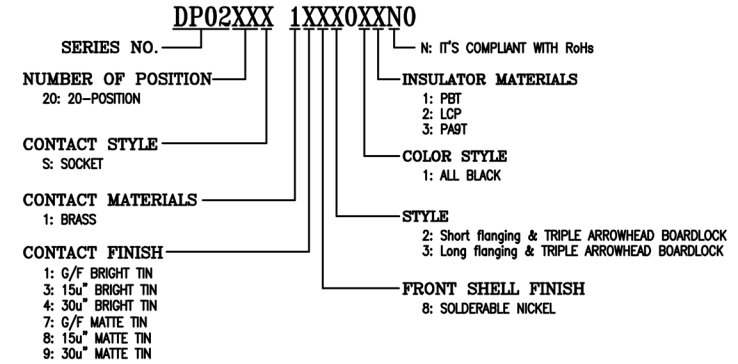
- HDMI
- 1.1 Voltage: 40 VAC(RMS) Max.
- 1.2 Current Rating: 0.5 Ampere per Contact
- 1.3 Contact Resistance: 30 Milliohms Max.
- 1.4 Insulation Resistance: 100 Megohms Min.
- 1.5 Dielectric Withstanding Voltage: 500 VAC(RMS)
- 1.6 Total Mating Force: 4.5 Kgf Max.
- 1.7 Total Unmating Force: 1.0 Kgf Min.
- 1.8 Operating Temperature: -55°C to +85°C

NOTES

- MATERIAL:**
Housing:LCP, UL 94V-0, Color:Black.
Terminal:Copper Alloy.
Shell:Brass.
- FINISH:**
Terminal:Gold Plated over Nickel at Contact Area.
Tin Plated over Nickel at Solder Area.
Shell:Solderable Nickel Plated.
- This Product is RoHS Compliance Product.



RECOMMENDED P.C.B. LAYOUT
INSPECTION DIMENSION(A)~(K)



A1	change	2018.06.11
A0	An issue.	2015.08.26
REV.	CONTENTS	DATE
Drawn	Yang Xiang	
Designed	He Wei	
Approval	Lee Jun De	
Scale	1:1	Size A4
SHEET	2-2	Units mm

FEN YING®	
ENTERPRISES CO.,LTD	
Title: <u>DP02 SERIES</u>	
DP 20-POS. FEMALE STRAIGHT DIP	
File NO.	C-ED-B-DP02-001
Drawing NO.	DP0220S1X83012N0