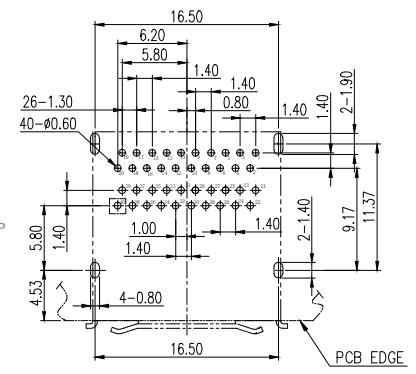
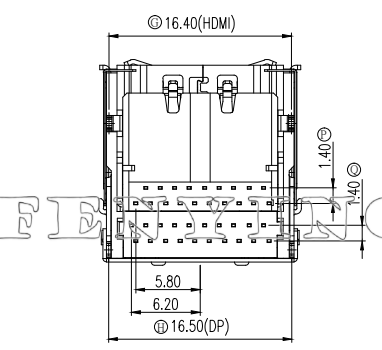
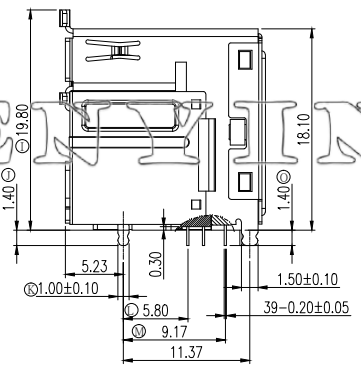
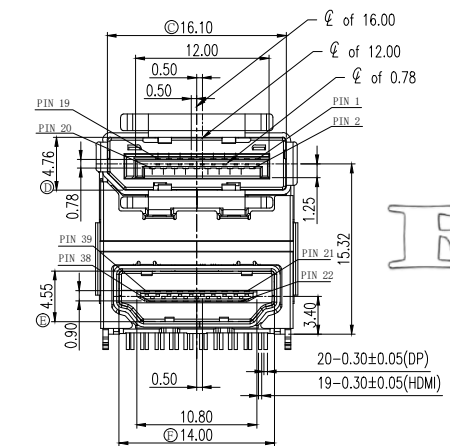
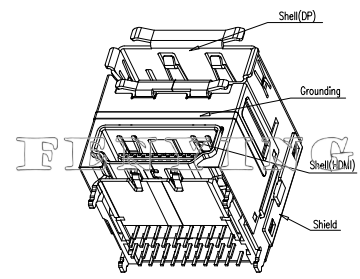
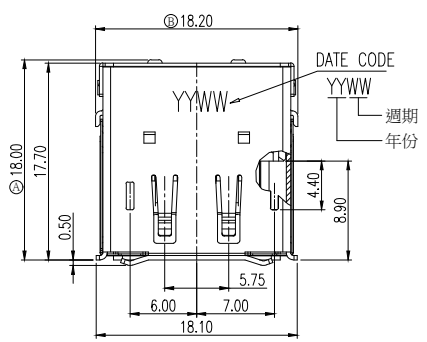


1 2 3 4 5 6 7 8



RECOMMENDED P.C.B. LAYOUT
TOLERANCE: 0.05

HDMI		DISPLAYPORT		
IN No.	PIN ASSIGNMENT	PIN No.	SOURCE-SIDE PIN ASSIGNMENT	SINK-SIDE PIN ASSIGNMENT
P21	TMDS DATA2+	P1	ML_Lane 0(p)	ML_Lane 3(n)
P22	TMDS DATA2 SHIELD	P2	GND	GND
P23	TMDS DATA2-	P3	ML_Lane 0(n)	ML_Lane 3(p)
P24	TMDS DATA1+	P4	ML_Lane 1(p)	ML_Lane 2(n)
P25	TMDS DATA1 SHIELD	P5	GND	GND
P26	TMDS DATA1-	P6	ML_Lane 1(n)	ML_Lane 2(p)
P27	TMDS DATA0+	P7	ML_Lane 2(p)	ML_Lane 1(n)
P28	TMDS DATA0 SHIELD	P8	GND	GND
P29	TMDS DATA0-	P9	ML_Lane 2(n)	ML_Lane 1(p)
P30	TMDS CLOCK+	P10	ML_Lane 3(p)	ML_Lane 0(n)
P31	TMDS CLOCK SHIELD	P11	GND	GND
P32	TMDS CLOCK-	P12	ML_Lane 3(n)	ML_Lane 0(p)
P33	CEC	P13	CONFIG1	CONFIG1
P34	RESERVED (N.C. ON DEVICE)	P14	CONFIG2	CONFIG2
P35	SDA	P15	AUX CH (p)	AUX CH (p)
P36	SDL	P16	GND	GND
P37	SDA	P17	AUX CH (n)	AUX CH (n)
P38	DDC/CEC GROUND	P18	HOT PLUG DETECT	HOT PLUG DETE
P38	+5V POWER	P19	RETURN	RETURN
P39	HOT PLUG DETECT	P20	DP PWR	DP PWR

FEN YING



AO		An Issue.		2021.05.06	
REV.		CONTENTS		DATE	
		Drawn Designed Approval		Yang Xiang He Wei Lee Jun De	
UNLESS OTHERWISE SPECIFIED TOLERANCE mm: .00 = ±0.25 .000 = ±0.13 Ang: 0.0 = ±2°		Scale 1:1 SHEET 2/1		Size A4 Units mm	
FEN YING[®] ENTERPRISES CO.,LTD					
Title: DPH4 SERIES DISPLAYPORT AND HDMI COMBO RECPTACLE DIP MOLDING TYPE CONNECTOR					
File NO.		C-ED-B-DPH4-004			
Drawing NO.		DPH4DPHD01X9001AD6			

1 2 3 4 5 6 7 8