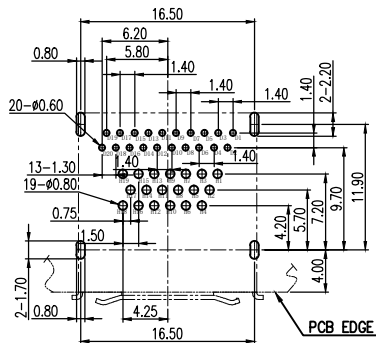
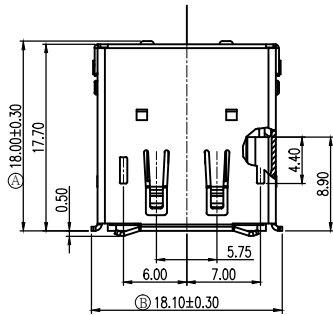
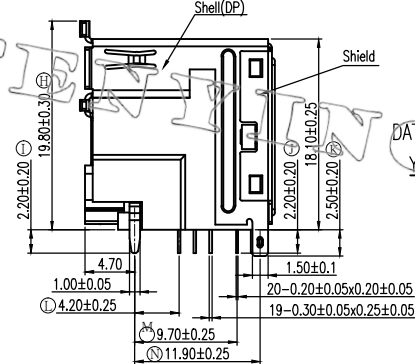
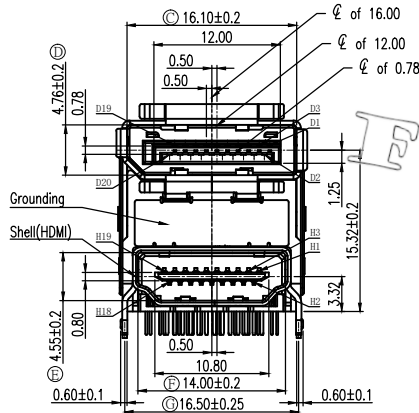


1 2 3 4 5 6 7 8

E



RECOMMENDED P.C.B. LAYOUT
THICKNESS=1.6±0.10mm



DPHDDPHD0 1XXX0XXN0

SERIES NO.

TOP CONNECTOR TYPE
DP: DISPLAYPORT 20-POS. FEMALE

BOTTOM CONNECTOR TYPE
HD: HDMI 19-POS. FEMALE

CONTACT MATERIALS
1: BRASS

CONTACT FINISH
7: G/F MATTE TIN
8: 15u" MATTE TIN,
9: 30u" MATTE TIN,

N: IT'S COMPLIANT WITH RoHS
INSULATOR MATERIALS
A: UPPER-PBT, LOWER-LCP

COLOR STYLE
1: ALL BLACK

HOUSING CONSTRUCTION
0: WITHOUT POLES
2: WITH POLES

FRONT SHELL FINISH
2: NICKEL

D

C

B

A

1 2 3 4 5 6 7 8

SPECIFICATIONS

- Displayport
 - Operation Voltage: 40 VAC(RMS) Max.
 - Current Rating: 0.5 Ampere per Contact
 - Contact Resistance: 30 Milliohms Max.
 - Insulation Resistance: 100 Megohms Min.
 - Dielectric Withstanding Voltage: 500V AC(RMS)
 - Total Mating Force: 4.5 Kgf Max.
 - Total Unmating Force: 1.0 Kgf Min.
 - Operating Temperature: -25°C to +85°C
- HDMI
 - Operation Voltage: 40 VAC(RMS) Max.
 - Current Rating: 0.5 Ampere per Contact
 - Contact Resistance: 30 Milliohms Max.
 - Insulation Resistance: 100 Megohms Min.
 - Dielectric Withstanding Voltage: 500V AC(RMS)
 - Total Mating Force: 4.5 Kgf Max.
 - Total Unmating Force: 1.0 Kgf Min.
 - Operating Temperature: -25°C to +85°C

NOTES

- MATERIAL:
 - Housing(DP):PBT, 30% GLASS FILLED, UL 94V-0, Color:Black.
 - Housing(HDMI):LCP, UL 94V-0, Color:Black.
 - Terminal:Brass.
 - Shell(DP):Brass.
 - Shell(HDMI):Brass.
 - Shield:SPCC.
 - Grounding:Stainless Steel.
- FINISH:
 - Terminal:Selected Gold Plated in Contact Area, 100u" MIN. Matte Tin Plated in Solder Area, 30u" MIN. Nickel Underplated Overall.
 - Shell:Nickel Plated.
 - Shield:Nickel Plated.
- This Product is RoHS Compliance Product.

E

D

C

B

A



CO		molding		2018.05.16	
REV.		CONTENTS		DATE	
<p>UNLESS OTHERWISE SPECIFIED TOLERANCE: mm:</p> <p>.00 = ±0.25</p> <p>.000 = ±0.13</p> <p>Ang: 0.0 = ±2°</p>	Drawn		Yang Xiang		
	Designed		He Wei		
	Approval		Lee Jun De		
Scale	1:1	Size	A4		
SHEET	1	Units	mm		

FEN YING®	
ENTERPRISES CO.,LTD	
Title: DPHD SERIES	
DISPLAYPORT ADD HDMI COMBO RECPACLE DIP TYPE CONNECTOR 微星專用	
File NO.	C-ED-B-DPHD-002
Drawing NO.	DPHDDPHD01X2001A0