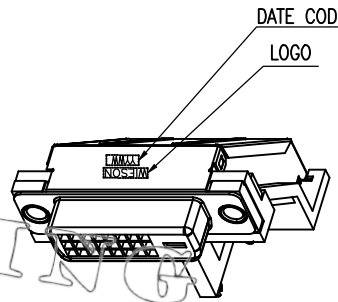
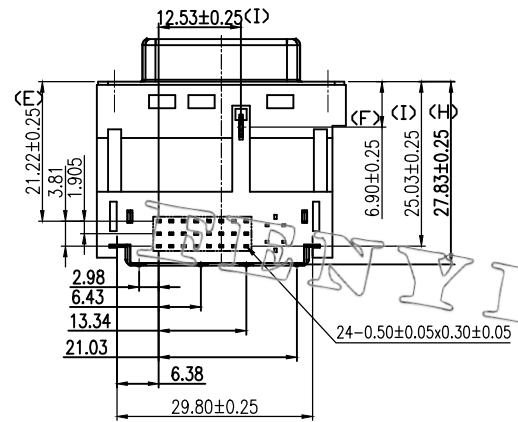
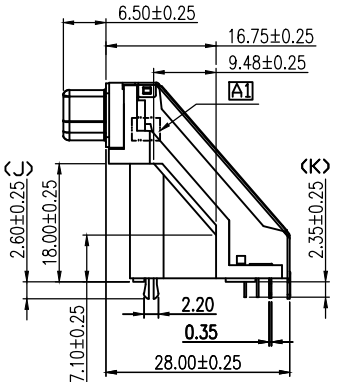
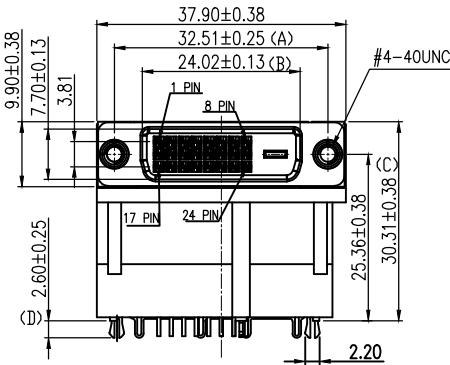
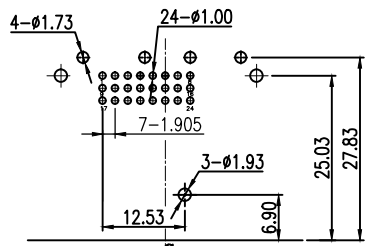


E
D
C
B
A



YYWW
週期
年份

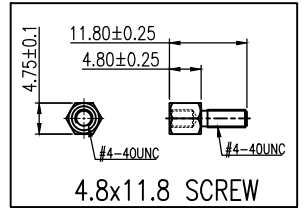


RECOMMENDED P.C.B. LAYOUT

INSPECTION DIMENSION:(A)~(K)

SPECIFICATIONS

1. DVI
- 1.1 Voltage: 40 VAC(RMS) Max.
- 1.2 Current Rating: 1.5 Ampere per Contact
- 1.3 Contact Resistance(UPPER): 30 Milliohms Max.
- 1.4 Insulation Resistance: 1000 Megohms Min.
- 1.5 Dielectric Withstanding Voltage: 500V DC(RMS)
- 1.6 Total Mating Force: 4.5 Kgf Max.
- 1.7 Total Unmating Force: 1.0 Kgf Min.
- 1.8 Operating Temperature: -55°C to +85°C
- 1.9 Screw Locking Force: 2.5~3.0 Kgf.
- 2.0 Screw Back Force: 1.0 Kgf Min.



NOTES

1. MATERIAL:
 - Housing:LCP, UL 94V-0, Color:Black.
 - Bracket:LCP, UL 94V-0, Color:Black.
 - Terminal:Copper Alloy.
 - Shell:SPCC.
 - Shield(outside):SPCC.
 - Boardlock:Steel.
 - Rivet:Copper Alloy.
 - Screw:Copper Alloy.
2. FINISH:
 - Terminal:Gold Plated over Nickel at Contact Area.
 - Tin Plated over Nickel at Solder Ared.
 - Shell:Nickel Plated.
 - Shield(outside):Solderable Nickle Plated.
 - Boardlock:Tin Plated.
 - Rivet:Nickel Plated.
 - Screw:Nickel Plated.
3. This Product is LEAD-FREE & RoHS Compliance Product.

DV33XXX XXXXXXN1

SERIES NO. _____

NUMBER OF POSITION
V2: 24-POS. FEMALE (DIGITAL)
V4: 29-POS. FEMALE (ANALOG)

CONTACT STYLE
S: SOCKET

CONTACT MATERIALS
1: BRASS

CONTACT FINISH
1: G/F BRIGHT TIN

FRONT SHELL FINISH
2: NICKEL

BOARD MOUNTING OPTION
3: TRIPLE ARROWHEAD BOARDLOCK

INSULATOR MATERIALS
1: PBT
2: LCP
F: HOUSING-LCP, BRACKET-PBT

COLOR STYLE
1: BLACK

FLANGE MOUNTING OPTION
1: #4-40 THREADED HOLE
E: #4-40 THREADED HOLE WITH #4-40UNC SCREWLOCK INSTALLED (5.8x13.0)
F: #4-40 THREADED HOLE WITH #4-40UNC SCREWLOCK BULK-PACKED (5.8x13.0)

It's COMPLIANT WITH RoHS



A1	A1	2015.07.15
A0	An Issue.	2015.03.11
REV.	CONTENTS	DATE
⊕	Drawn YangXiang	
	Designed He Wei	
	Approval Lee Jun De	
UNLESS OTHERWISE SPECIFIED TOLERANCE mm	Scale 1:1	Size A4
.00 = ±0.25	SHEET 1	Units mm
.000 = ±0.13		
Ang 0.0 = ±2°		

FEN YING®
ENTERPRISES CO.,LTD

Title: **DV33 SERIES**
DVI-D / FEMALE RIGHT ANGLE

File NO. C-ED-B-DV33-010
Drawing NO. DV33V2S1X23B12N1