

1 2 3 4 5 6 7 8

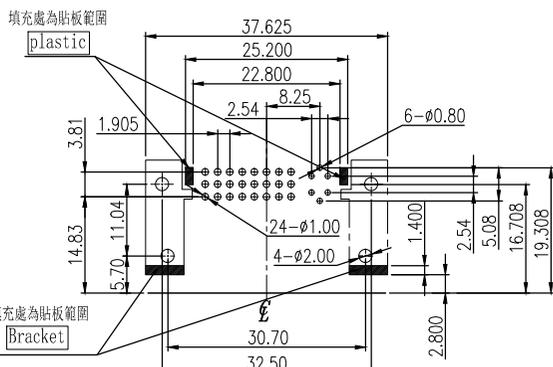
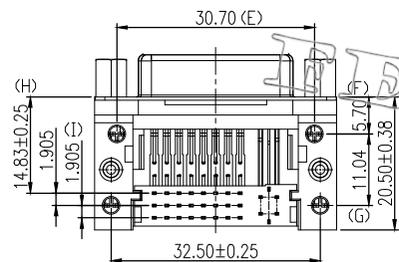
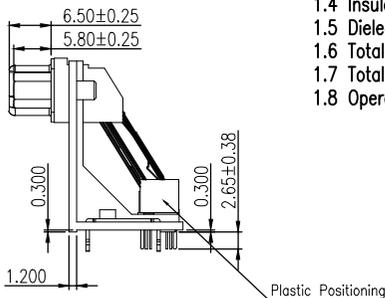
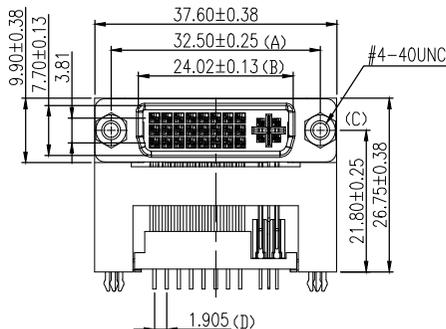
E

D

C

B

A



RECOMMENDED P.C.B. LAYOUT

INSPECTION DIMENSION:(A)~(J)

SPECIFICATIONS

1. DVI
- 1.1 Voltage: 40 VAC(RMS) Max.
- 1.2 Current Rating: 1.5 Ampere per Contact
- 1.3 Contact Resistance(UPPER): 30 Milliohms Max.
- 1.4 Insulation Resistance: 1000 Megohms Min.
- 1.5 Dielectric Withstanding Voltage: 500V DC(RMS)
- 1.6 Total Mating Force: 4.5 Kgf Max.
- 1.7 Total Unmating Force: 1.0 Kgf Min.
- 1.8 Operating Temperature: -55°C to +85°C

NOTES

1. MATERIAL:
 - Housing(UPPER):LCP, UL 94V-0, Color:IVORY.
 - Plastic Positioning:LCP Halogen-free, Color:Black.
 - Terminal:Copper Alloy.
 - Shell:SPCC.
 - Boardlock:Copper Alloy.
 - Bracket:Zinc Alloy.
 - Screw:Steel.
2. FINISH:
 - Terminal:Gold Plated over Nickel at Contact Area.
 - Tin Plated over Nickel at Solder Ared.
 - Shell:Nickel Plated.
 - Boardlock:Tin Plated.
 - Bracket:Nickel Plated.
 - Screw:Nickel Plated.
3. This Product is RoHS Compliance Product.

DVIRXXXXX XXXXXXXN0-F

- SERIES NO. _____
- TOP CONNECTOR TYPE
 V2: 24-POS. FEMALE (DIGITAL)
 V4: 29-POS. FEMALE (ANALOG)
- BOTTOM CONNECTOR TYPE
 00: NONE
 V2: 24-POS. FEMALE (DIGITAL)
 V4: 29-POS. FEMALE (ANALOG)
- THE INTERFACE HEIGHT
 TYPE C-C (PROFILE)
 C: 25.5mm(1.004")
 D: 21.8mm(0.858")
- CONTACT MATERIALS
 1: BRASS
- CONTACT FINISH
 1: G/F BRIGHT TIN
 3: 15u" GOLD BRIGHT TIN
 4: 30u" GOLD BRIGHT TIN
- FRONT SHELL FINISH
 1: TIN
 2: NICKEL
- INSULATOR MATERIALS
 1: PBT
 2: LCP
 4: PAET
 A: UPPER-PBT, LOWER-LCP
 B: UPPER-PBT, LOWER-PAET
- COLOR STYLE
 1: ALL BLACK
 4: ALL IVORY
- FLANGE MOUNTING OPTION
 1: #4-40 THREADED HOLE
 A: #4-40 THREADED HOLE WITH #4-40UNC SCREWLOCK INSTALLED (4.8x11.8)
 B: #4-40 THREADED HOLE WITH #4-40UNC SCREWLOCK BULK-PACKED (4.8x11.8)
 E: #4-40 THREADED HOLE WITH #4-40UNC SCREWLOCK INSTALLED (5.8x13.0)
- BOARD MOUNTING OPTION
 L: QUAD ARROWHEAD BOARDLOCK

A0		An Issue.		2019.07.02		FEN YING ENTERPRISES CO.,LTD	
REV.		CONTENTS		DATE		Title: <u>DVIR SERIES</u>	
UNLESS OTHERWISE SPECIFIED TOLERANCE mm: ∅0 = ±0.25 .000 = ±0.13 Ang: 0.0 = ±2'	Drawn	YangXiang		File NO.		C-ED-B-DVIR-031	
	Designed	He Wei		Drawing NO.		DVIRV400D1X2LE42N0-F	
	Approval	Lee Jun De		Scale		1:1	
Size		A4		Units		mm	
SHEET		1		Size		A4	

1 2 3 4 5 6 7 8