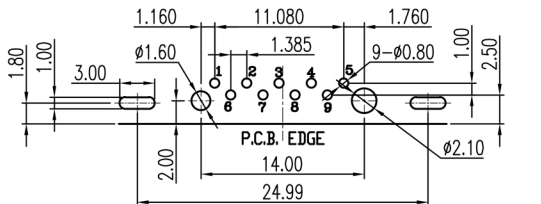
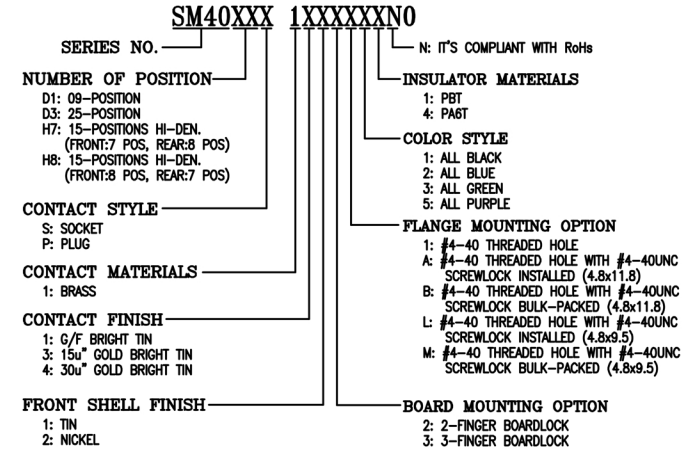
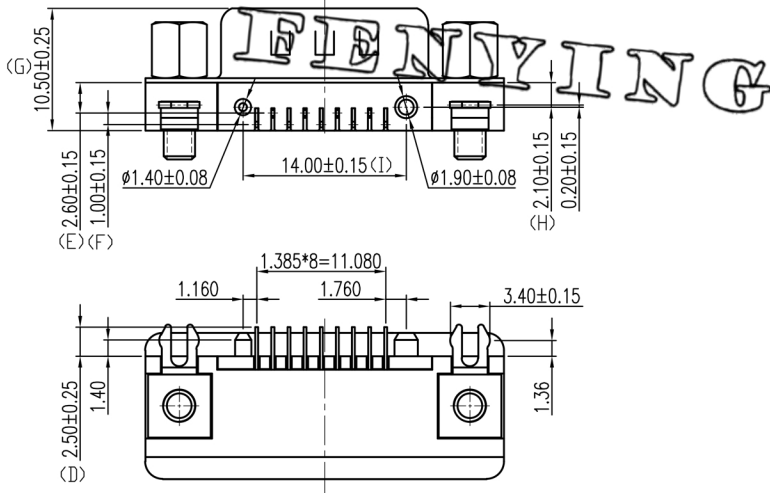


**SPECIFICATIONS**

1. D-SUB
- 1.1 Voltage: 250 VAC(RMS) Max.
- 1.2 Current Rating: 3 Ampere per Contact
- 1.3 Contact Resistance: 25 Milliohms Max.
- 1.4 Insulation Resistance: 1000 Megohms Min.
- 1.5 Dielectric Withstanding Voltage: 500V AC(RMS)
- 1.6 Total Mating Force: 4.0 Kgf Max.
- 1.7 Total Unmating Force: 1.0 Kgf Min.
- 1.8 Operating Temperature: -55°C to +85°C

**NOTES**

1. MATERIAL:
  - Housing:PA9T, UL 94V-0, Color:Green.
  - Terminal:Copper Alloy.
  - Shell:SPCC.
  - Boardlock:Copper Alloy.
  - Rivet:Copper Alloy.
  - Screw:Copper Alloy.
2. FINISH:
  - Terminal:Gold Plated over Nickel at Contact Area.
  - Tin Plated over Nickel at Solder Ared.
  - Shell:Nickel Plated.
  - Boardlock:Tin Plated.
  - Rivet:Nickel Plated.
  - Screw:Nickel Plated.
3. This Product is LEAD-FREE & RoHS Compliance Product.



RECOMMENDED P.C.B LAYOUT  
INSPECTION DIMENSION:(A)~(I)

		<b>FEN YING</b> <sup>®</sup>	
		ENTERPRISES CO.,LTD	
AO	An issue.	2011.09.17	
REV.	CONTENTS	DATE	
 UNLESS OTHERWISE SPECIFIED TOLERANCE mm: .00 = ±0.25 .000 = ±0.13 Ang: 0.0 = ±2°	Drawn	Shao Jianfeng	
	Designed	He Wei	
	Approval	Lee JIun De	
Scale	1:1	Size	A4
SHEET	1	Units	mm
Title:		SM40 SERIES	
SLIM D-SUB 9 MALE CONNECTOR DIP SOLDER, RIGHT ANGLE			
File NO.	C-ED-B-SM40-034		
Drawing NO.	SM40D1P1X22A33N0		