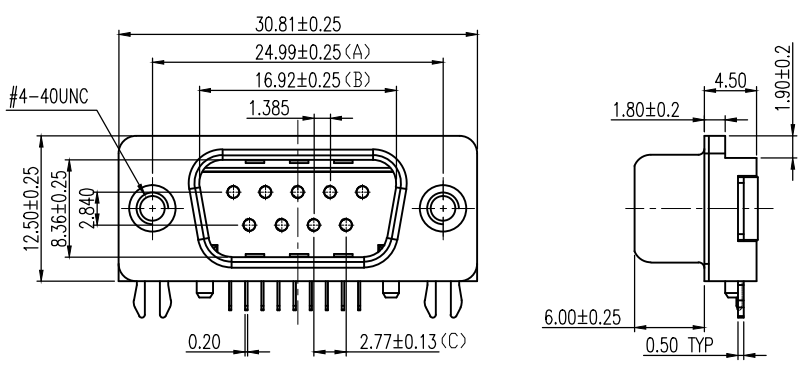


1 2 3 4 5 6 7 8

E
D
C
B
A

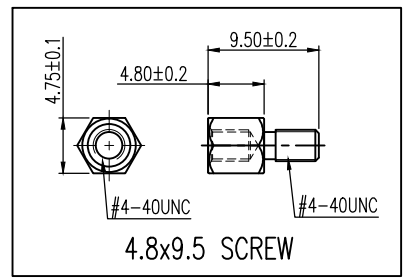
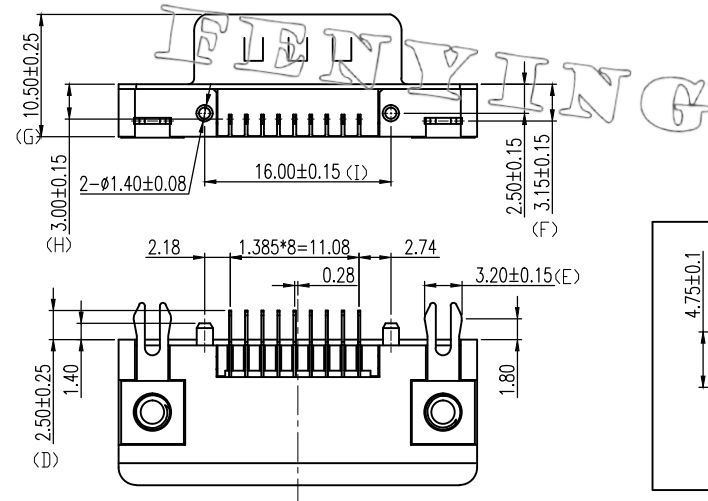


SPECIFICATIONS

1. D-SUB
- 1.1 Voltage: 250 VAC(RMS) Max.
- 1.2 Current Rating: 3 Ampere per Contact
- 1.3 Contact Resistance: 25 Milliohms Max.
- 1.4 Insulation Resistance: 1000 Megohms Min.
- 1.5 Dielectric Withstanding Voltage: 500V AC(RMS)
- 1.6 Total Mating Force: 4.0 Kgf Max.
- 1.7 Total Unmating Force: 1.0 Kgf Min.
- 1.8 Operating Temperature: -55°C to +85°C

NOTES

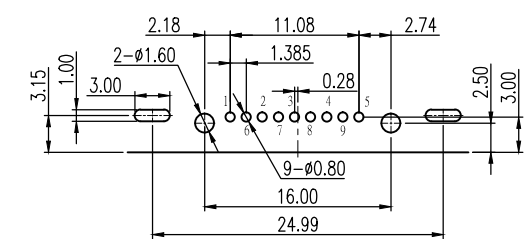
1. MATERIAL:
 - Housing:PBT, UL 94V-0, Color:Green.
 - Terminal:Copper Alloy.
 - Shell:SPCC.
 - Boardlock:Copper Alloy.
 - Rivet:Copper Alloy.
 - Screw:Copper Alloy.
2. FINISH:
 - Terminal:Gold Plated over Nickel at Contact Area.
 - Tin Plated over Nickel at Solder Area.
 - Shell:Nickel Plated.
 - Boardlock:Tin Plated.
 - Rivet:Nickel Plated.
 - Screw:Nickel Plated.
3. This Product is RoHs Compliance Product.



SERIES NO. SM41XXX 1XXXXXXXXNO

- NUMBER OF POSITION**
 - D1: 09-POSITION
- CONTACT STYLE**
 - S: SOCKET
 - P: PLUG
- CONTACT MATERIALS**
 - 1: BRASS
- CONTACT FINISH**
 - 1: G/F BRIGHT TIN
 - 3: 15u" GOLD BRIGHT TIN
 - 4: 30u" GOLD BRIGHT TIN
- FRONT SHELL FINISH**
 - 1: TIN
 - 2: NICKEL
- INSULATOR MATERIALS**
 - 1: PBT
 - 3: PA9T
- COLOR STYLE**
 - 1: ALL BLACK
 - 3: ALL GREEN
- FLANGE MOUNTING OPTION**
 - L: #4-40 THREADED HOLE
 - M: #4-40 THREADED HOLE WITH #4-40UNC SCREWLOCK INSTALLED (4.8x9.5)
 - N: #4-40 THREADED HOLE WITH #4-40UNC SCREWLOCK BULK-PACKED (4.8x9.5)
 - P: #4-40 THREADED HOLE WITH #4-40UNC SCREWLOCK INSTALLED (5.8x9.5)
 - H: #4-40 THREADED HOLE WITH #4-40UNC SCREWLOCK BULK-PACKED (5.8x9.5)
- BOARD MOUNTING OPTION**
 - 2: 2-FINGER BOARDLOCK

N: IT'S COMPLIANT WITH RoHs



RECOMMENDED P.C.B LAYOUT
INSPECTION DIMENSION:(A)~(I)

						FEN YING®	
						ENTERPRISES CO.,LTD	
AO	An issue.		2018.10.26				
REV.	CONTENTS		DATE		Title: SM41 SERIES		
<p>UNLESS OTHERWISE SPECIFIED TOLERANCE mm: .00 = ±0.25 .000 = ±0.13 Ang: 0.0 = ±2°</p>	Drawn	Shao Jianfeng		SLIM D-SUB 9 MALE CONNECTOR DIP SOLDER, RIGHT ANGLE			
	Designed	He Wei		File NO. C-ED-B-SM41-014			
	Approval	Lee Jun De		Drawing NO. SM41D1P1X22M31N0			
Scale	1:1	Size	A4				
SHEET	1	Units	mm				

1 2 3 4 5 6 7 8