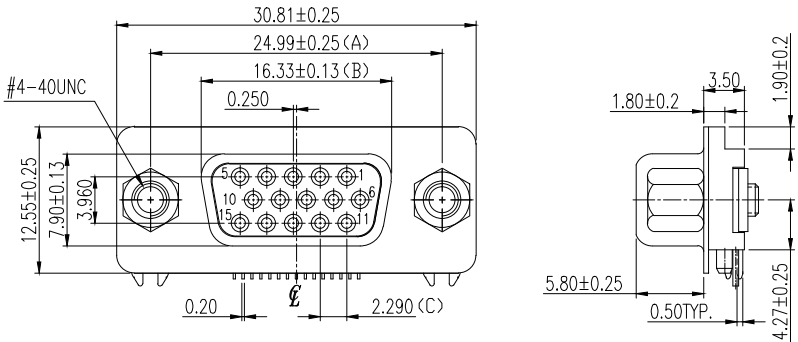


1 2 3 4 5 6 7 8

E

E



D

D

**SPECIFICATIONS**

- 1. D-SUB
- 1.1 Voltage: 250 VAC(RMS) Max.
- 1.2 Current Rating: 3 Ampere per Contact
- 1.3 Contact Resistance: 25 Milliohms Max.
- 1.4 Insulation Resistance: 1000 Megohms Min.
- 1.5 Dielectric Withstanding Voltage: 500 VAC(RMS)
- 1.6 Total Mating Force: 6.0 Kgf Max.
- 1.7 Total Unmating Force: 1.2 Kgf Min.
- 1.8 Operating Temperature: -55°C to +85°C

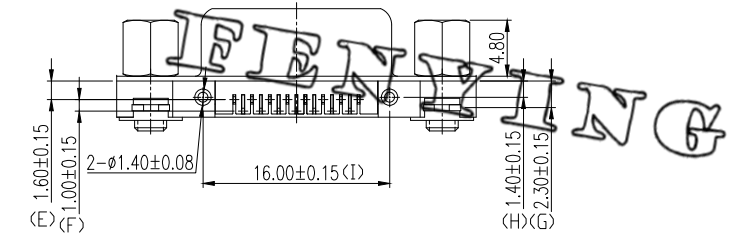
**NOTES**

- 1. MATERIAL:
  - Housing:PBT, UL 94V-0, Color:Black.
  - Terminal:Copper Alloy.
  - Shell:SPCC.
  - Boardlock:Copper Alloy.
  - Rivet:Copper Alloy.
  - Screw:Copper Alloy.
- 2. FINISH:
  - Terminal:Gold Plated over Nickel at Contact Area.
  - Tin Plated over Nickel at Solder Ared.
  - Shell:Nickel Plated.
  - Boardlock:Tin Plated.
  - Rivet:Nickel Plated.
  - Screw:Nickel Plated.
- 3. This Product is LEAD-FREE & RoHS Compliance Product.



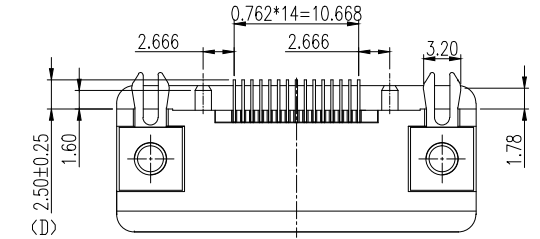
C

C



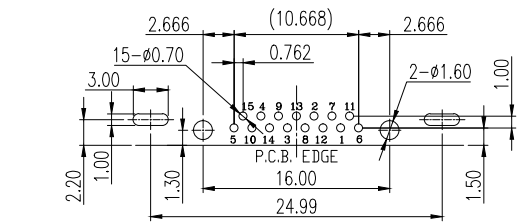
B

B



A

A



RECOMMENDED P.C.B LAYOUT  
INSPECTION DIMENSION:(A)~(I)

SM50XXX 1XXXXXXN0

- SERIES NO. \_\_\_\_\_
- NUMBER OF POSITION \_\_\_\_\_
  - H7: 15-POSITIONS HI-DEN. (FRONT:7 POS, REAR:8 POS)
  - H8: 15-POSITIONS HI-DEN. (FRONT:8 POS, REAR:7 POS)
- CONTACT STYLE \_\_\_\_\_
  - S: SOCKET
- CONTACT MATERIALS \_\_\_\_\_
  - 1: BRASS
- CONTACT FINISH \_\_\_\_\_
  - 1: G/F BRIGHT TIN
  - 3: 15u" GOLD BRIGHT TIN
  - 4: 30u" GOLD BRIGHT TIN
- FRONT SHELL FINISH \_\_\_\_\_
  - 1: TIN
  - 2: NICKEL
- N: IT'S COMPLIANT WITH RoHS
- INSULATOR MATERIALS \_\_\_\_\_
  - 1: PBT
  - 3: PA6T
  - 4: PA6T
- COLOR STYLE \_\_\_\_\_
  - 1: ALL BLACK
  - 2: ALL BLUE
- FLANGE MOUNTING OPTION \_\_\_\_\_
  - 1: #4-40 THREADED HOLE
  - L: #4-40 THREADED HOLE WITH #4-40UNC SCREWLOCK INSTALLED (4.8x9.5)
  - M: #4-40 THREADED HOLE WITH #4-40UNC SCREWLOCK BULK-PACKED (4.8x9.5)
- BOARD MOUNTING OPTION \_\_\_\_\_
  - 2: 2-FINGER BOARDLOCK
  - 3: 3-FINGER BOARDLOCK

AO		An issue.		2015.01.16		FEN YING	
REV.		CONTENTS		DATE		ENTERPRISES CO.,LTD	
Drawn		Shao Jianfeng		Title:		SM50 SERIES	
Designed		He Wei		D-SUB 15 FEMALE HIGH DENSITY CONNECTOR		SLIM DIP TYPE	
Approval		Lee Jun De		File No.		C-ED-B-SM50-021	
Scale		1:1		Size		A4	
SHEET		1		Units		mm	
Drawing NO.		SM50H8S1X22L11N0		File No.		C-ED-B-SM50-021	

1 2 3 4 5 6 7 8