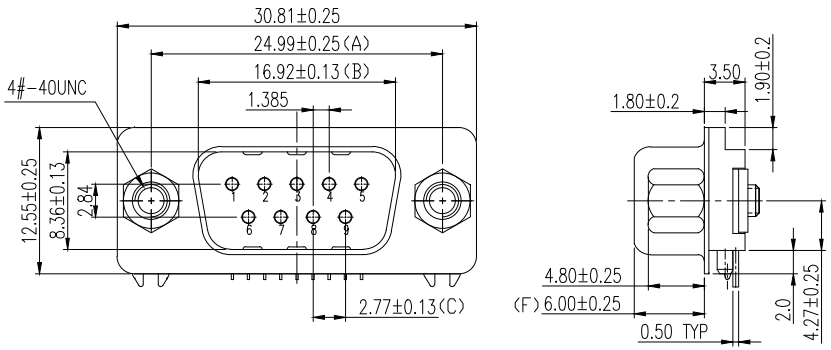


1 2 3 4 5 6 7 8

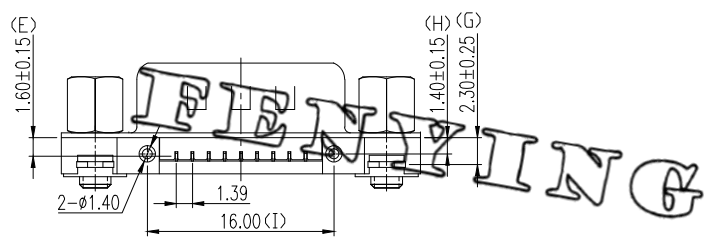
E

E



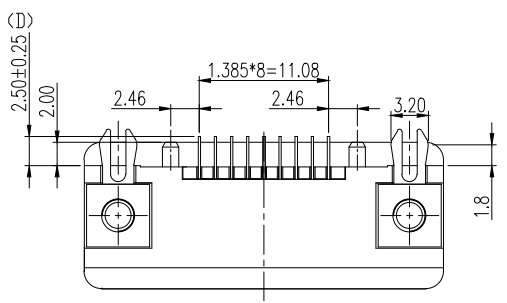
D

D



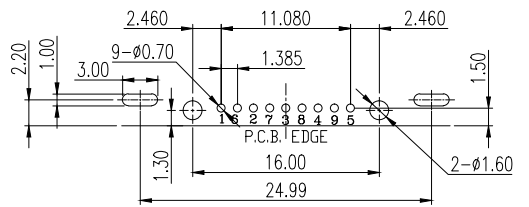
C

C



B

B



A

A

RECOMMENDED P.C.B LAYOUT
INSPECTION DIMENSION:(A)~(I)

SPECIFICATIONS

1. D-SUB
- 1.1 Voltage: 250 VAC(RMS) Max.
- 1.2 Current Rating: 3 Ampere per Contact
- 1.3 Contact Resistance: 25 Milliohms Max.
- 1.4 Insulation Resistance: 1000 Megohms Min.
- 1.5 Dielectric Withstanding Voltage: 500V AC(RMS)
- 1.6 Total Mating Force: 4.0 Kgf Max.
- 1.7 Total Unmating Force: 1.0 Kgf Min.
- 1.8 Operating Temperature: -55°C to +85°C

NOTES

1. MATERIAL:
Housing:PA6T, UL 94V-0, Color:Black.
Terminal:Copper Alloy.
Shell:SPCC.
Boardlock:Copper Alloy.
Rivet:Copper Alloy.
Screw:Copper Alloy.
2. FINISH:
Terminal:Gold Plated over Nickel at Contact Area.
Tin Plated over Nickel at Solder Ared.
Shell:Nickel Plated.
Boardlock:Tin Plated.
Rivet:Nickel Plated.
Screw:Nickel Plated.
3. This Product is LEAD-FREE & RoHS Compliance Product.



SM60XXX 1XXXXXXN0

- SERIES NO. _____
- NUMBER OF POSITION _____
- D1: 09-POSITION
- D3: 25-POSITION
- H7: 15-POSITIONS HI-DEN.
(FRONT:7 POS, REAR:8 POS)
- H8: 15-POSITIONS HI-DEN.
(FRONT:8 POS, REAR:7 POS)
- CONTACT STYLE _____
- S: SOCKET
- P: PLUG
- CONTACT MATERIALS _____
- 1: BRASS
- CONTACT FINISH _____
- 1: G/F BRIGHT TIN
- 3: 15u" GOLD BRIGHT TIN
- 4: 30u" GOLD BRIGHT TIN
- FRONT SHELL FINISH _____
- 1: TIN
- 2: NICKEL
- N: IT'S COMPLIANT WITH RoHS
- INSULATOR MATERIALS _____
- 1: PBT
- 3: PA9T
- 4: PA6T
- COLOR STYLE _____
- 1: ALL BLACK
- 2: ALL BLUE
- 3: ALL GREEN
- FLANGE MOUNTING OPTION _____
- 1: #4-40 THREADED HOLE
- L: #4-40 THREADED HOLE WITH #4-40UNC
SCREWLOCK INSTALLED (4.8x9.5)
- M: #4-40 THREADED HOLE WITH #4-40UNC
SCREWLOCK BULK-PACKED (4.8x9.5)
- BOARD MOUNTING OPTION _____
- 2: 2-FINGER BOARDLOCK

		FEN YING		ENTERPRISES CO.,LTD	
AO	An issue.	2010.12.14			
REV.	CONTENTS	DATE		Title: <u>SM60 SERIES</u>	
	Drawn	Shao Jianfeng		D-SUB 09 MALE CONNECTOR SLIM DIP TYPE	
	Designed	He Wei			
	Approval	Lee Jun De			
Scale	1:1	Size	A4	File No.	C-ED-B-SM60-008
SHEET	1	Units	mm	Drawing NO.	SM60D1P1X22L14N0

1 2 3 4 5 6 7 8